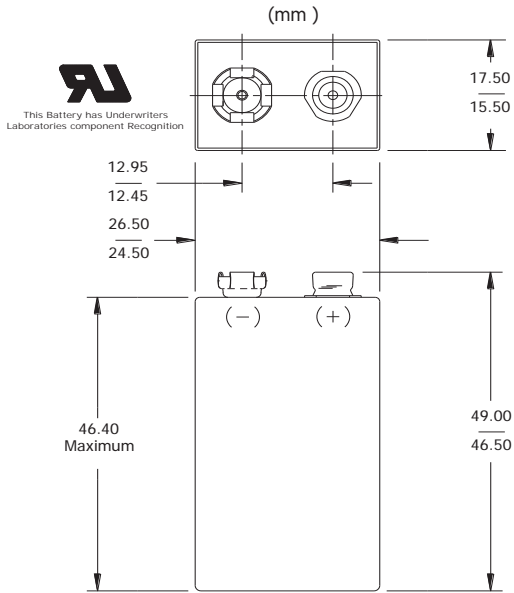


**ENERGIZER L522**  
Lithium

**9V**



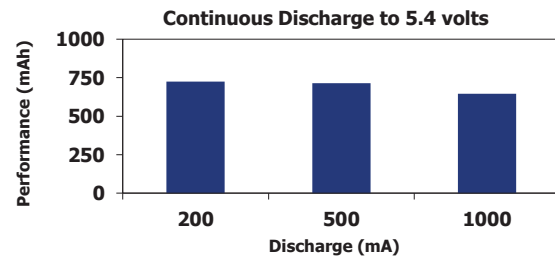
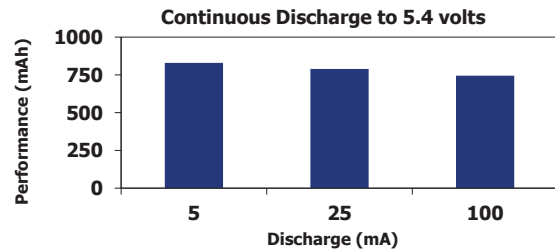
**Industry Standard Dimensions**



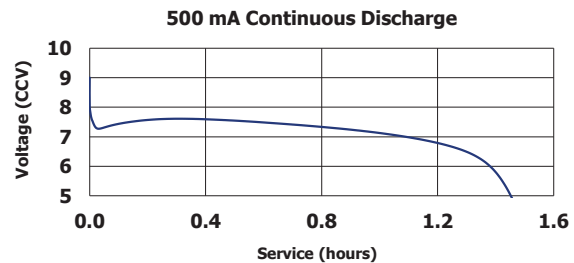
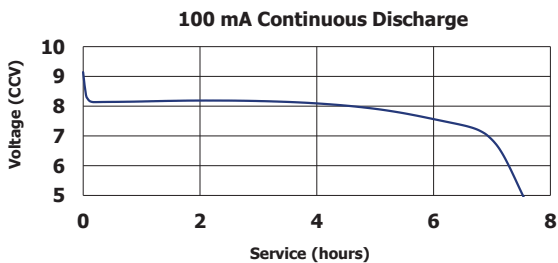
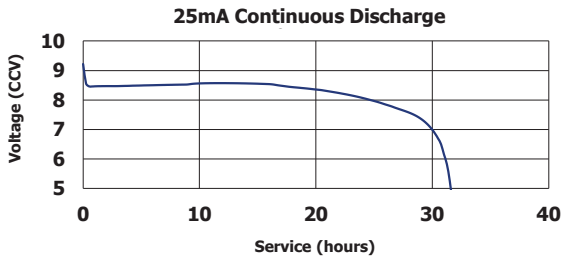
**Specifications**

<b>Classification:</b>	Lithium 9V
<b>Chemical System:</b>	Lithium-Manganese Dioxide (Li/MnO <sub>2</sub> )
<b>Designation:</b>	ANSI-1604LC
<b>Nominal Voltage:</b>	9.0 volts
<b>Operating Temp:</b>	-40°C to 60°C
<b>Storage Temp:</b>	-40°C to 60°C
<b>Max Discharge :</b>	1000 mA continuous
<b>Safety Features:</b>	Positive Temperature Coefficient Switch (PTC) Burst Proof Venting Holes
<b>Typical Weight:</b>	33.9 grams
<b>Typical Volume:</b>	21.4 cubic centimeters
<b>Jacket:</b>	Plastic Label
<b>Terminal:</b>	Miniature Snap
<b>Shelf Life:</b>	10 Years
<b>Typical Li Content:</b>	1.35 grams
<b>UL/UN Listed:</b>	MH12454 / 38.3

**Milliamp-Hours Performance (21°C)**



**Typical Discharge Performance (21°C)**



**Important Notice**

This datasheet contains typical information specific to products manufactured at the time of its publication.  
©Energizer Holdings, Inc. - Contents herein do not constitute a warranty.