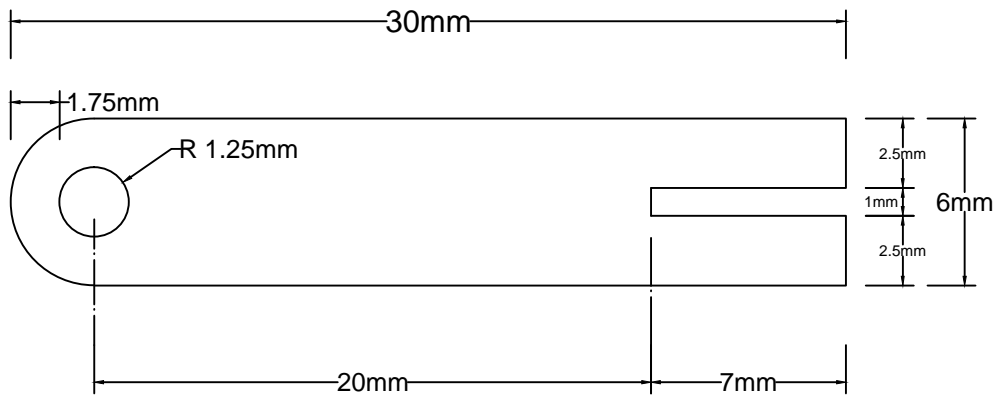


REVISIONS				
ZONE	REV	DESCRIPTION	DATE	APPROVED
			02/25/19	

Note: Tab thick is 0.2mm



TB-CSF

CELL:				AA PORTABLE POWER/Batteryspace			
TYPE	E	Ah	QTY	825 SOUTH 19TH STREET RICHMOND CA,94804			
				SIZE	DWR NO.	Part NO.	REV
						TB-CSF	
NOTE:				SCALE	None	SHEET	1 of 1