

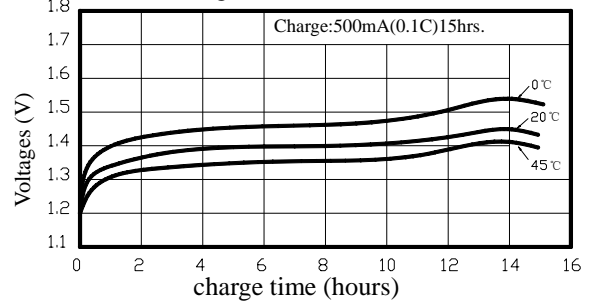
# TYPE: MH-C5000

## Specifications

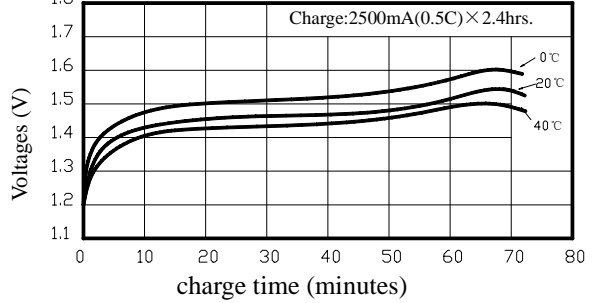
Nominal voltage		1.2V	
Capacity		0.2C Discharge	0.5C Discharge
	Minimum	4680mAh	4500mAh
	Typical	5000mAh	4800mAh
Dimensions	Diameter	mm	inch
		$25.3^{±0.2}$	$0.99^{±0.008}$
	Height	$49.0^{±0.2}$	$1.91^{±0.008}$
Weight(Approximately)		Grams	Ounces
		85.0	2.98
Internal Impedance At 1000 Hz		8mΩ(Max) (After Charge)	
Charge	Standard	1000mA(0.2C)×7.0hrs	
	Rapid	2500mA(0.5C)×2.4hrs	
Ambient temperature	Charge	°C	°F
		standard	0°C to 45°C
	Rapid	10°C to 40°C	50°F to 104°F
	Discharge	-20°C to 65°C	-4°F to 149°F
	storage	-20°C to 45°C	-4°F to 113°F

Typical characteristics

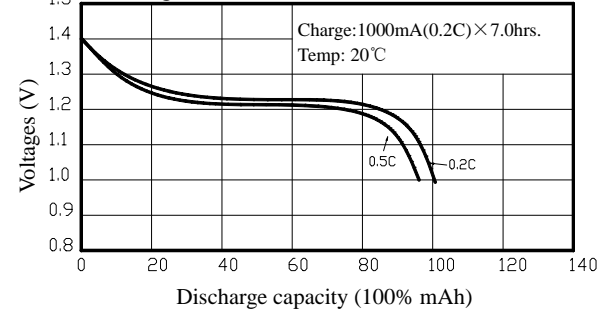
Standard charge characteristics



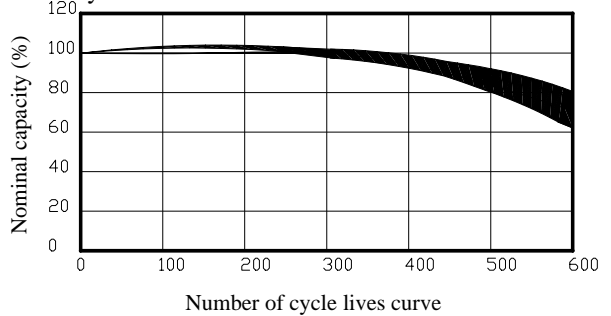
Rapid charge characteristics



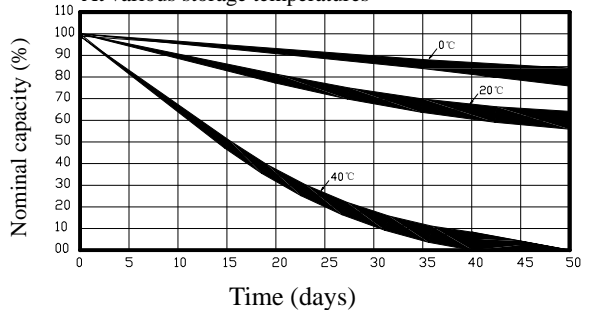
Discharge characteristics



Cycle life characteristics

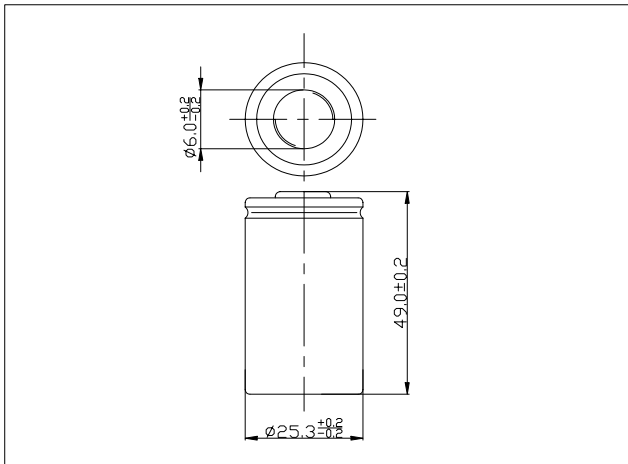


Charge retention curves of Ni-MH cylindrical cell  
At various storage temperatures



Dimension (with tube)

(mm)



**Note:**

1. After charging at 0.1C for 15hours.
2. Nominal capacity rated at 0.2C 20°C.
3. Average capacity for reference only.
4. Weight and internal impedance are for reference.
5. Standard according as IEC of test cycle lives.