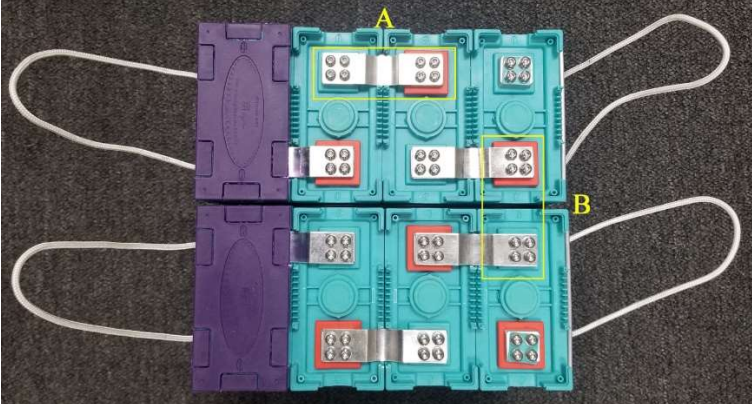



| Connection     |  |   |  |
|----------------|--|---|---|
|                | A Connection –<br>between each 3.2V cells  | B Connection –<br>between two 12.8V packs | C Connection –<br>between two 12.8V packs with aluminum plate in the middle         |
| 40Ah<br>LxWxT  | 64x19 ± 2 mm<br>(Prod#6755, TAB-EL40)  | 79x22 ± 2 mm<br>(Prod#6760, TAB-EL-B)     | 79x22 ± 2 mm<br>(Prod#6760, TAB-EL-B)   |
| 60Ah<br>LxWxT  | 86x22 ± 2 mm<br>(Prod#6761, TAB-EL-C)  | 79x22 ± 2 mm<br>(Prod#6760, TAB-EL-B)     | 108x22 ± 2 mm<br>(Prod#6762, TAB-EL-D)  |
| 100Ah<br>LxWxT | 86x22 ± 2 mm<br>(Prod#6761, TAB-EL-C)  | 91x22 ± 2 mm<br>(Prod#9908, TAB-EL-B2)    | 91x22 ± 2 mm<br>(Prod#9908, TAB-EL-B2)  |