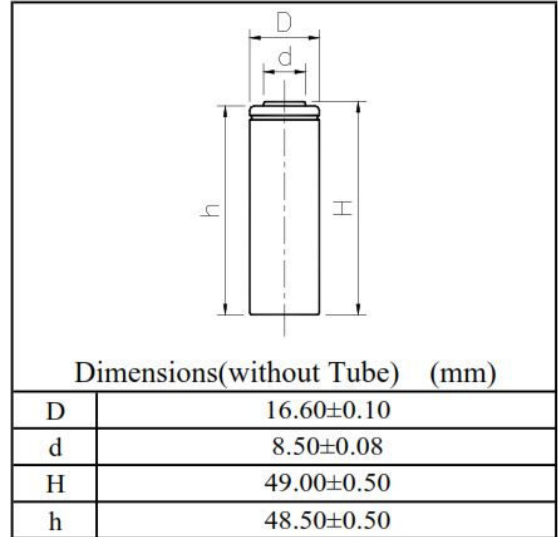


Specification

CD-A1400



Cycle No.	Charge	Rest	Discharge
1	0.1C×16h	None	0.25C×2h20min
2-48	0.25C×3h10min	None	0.25C×2h20min
49	0.25C×3h10min	None	0.25C to 1.0V/cell
50	0.1C×16h	1-4h	0.2C to 1.0V/cell

Cycle 1 to 50 shall be repeated until the discharge duration on any 50th cycle becomes less than 3 h.

Storage	<p>Store the battery/cell in clean, dry, and cool condition</p> <ul style="list-style-type: none"> -20° ~ 30°C 1 year -20° ~ 40°C 6 months -20° ~ 50°C 1 month -20° ~ 60°C 1 week <p>Humidity: Max85%</p>
Dimension	D 16.6±0.1 mm x L 49.0±0.5 mm
Weight	29.5g
Warning	<ul style="list-style-type: none"> Reverse Charging is not acceptable Charged before you use (it is in uncharged state before delivery) Do not charge/discharge with more than the specific current Do not short the battery/cell Do not incinerate or mutilate the battery/cell Do not directly solder the battery/cell The expected life may be reduced if the battery/cell is subjected to adverse conditions such as extreme temperature, deep cycles, over charge, over discharge. Always discharge cell before packing

Nominal Voltage	1.2V
Nominal Capacity	1400mAh
Standard Charge	140mA (0.1C), 16hr at 20±5°C
Fast Charge	700mA (0.5C), 2.4hr at 20±5°C $-\Delta V = \sim 15\text{mV}$ Cut Off Capacity = 120% nominal capacity Cut Off Temperature = 55°C, dT/dt = 0.8°C/min
Trickle Charge	0.03C ~ 0.05C at 20±5°C
Standard Discharge	280mA (0.2C)
Discharge Cut-Off Voltage	1.0V
Operating Temperature	Standard Charge: 0°C ~ 45°C Fast Charge: 10°C ~ 45°C Discharge: -30°C ~ 60°C
Internal Impedance (After Charge)	≤ 20 mΩ

