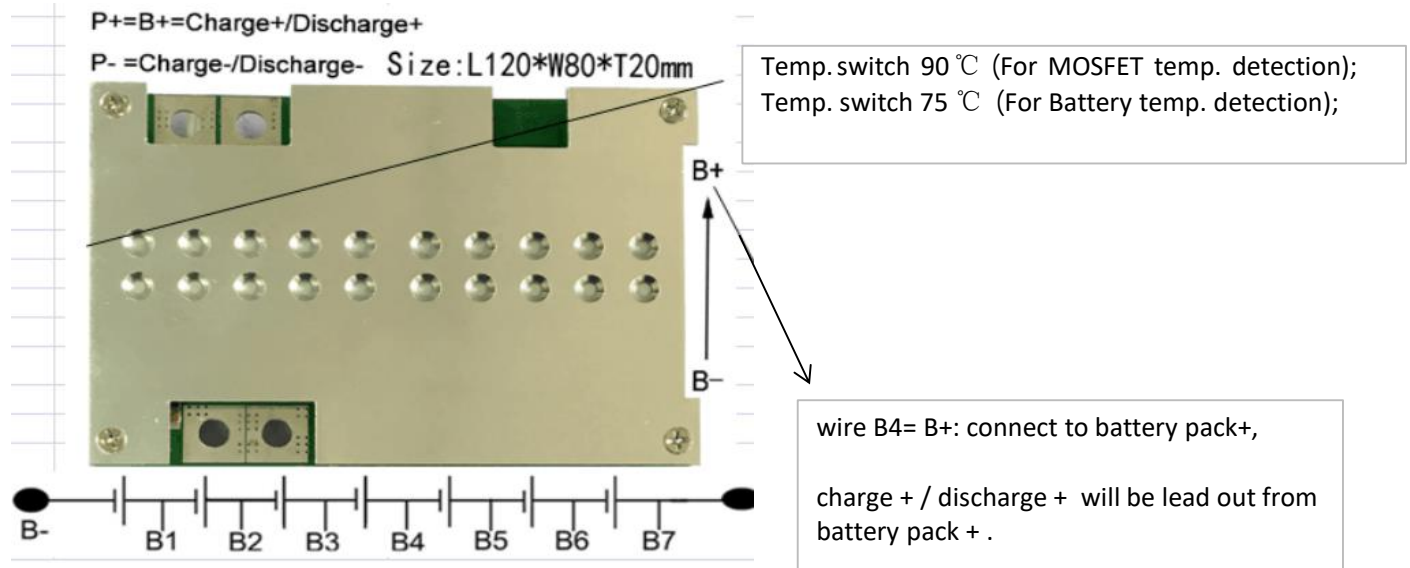


12.8V (4S) LiFePO4 battery pack protection circuit module specifications

PCM-LFP4S60A

series no.	Test Items		Standard
1	voltage	charging voltage	DC:14.4V 3.6V/Cell
		single cell balancing voltage	3.60V±0.05V
2	current	sing cell balancing current	58±10mA
		self-consumption- single cell	≤100μ A
		max.continuous charging curent	60A
		max.continuous discharging curent	60A
3	over charge protection (single cell)	over charge detection voltage	3.90±0.05V
		over charge detection delay time	0.5S—2S
		over charge release voltage	3.80±0.10V
4	over discharge protection (single cell)	over discharge detection voltage	2.00±0.1V
		over discharge detection delay time	10mS—200mS
		over discharge release voltage	2.30±0.1V
5	over current protection	over current detection current	250±50A
		over curent detection delay time	5ms—60ms
		recover status	cut load, auto recovery
6	short circuit protection	detection status	exterior short circuit
		detection delay time	200-800us
		reovery status	cut load, auto recovery
7	internal resistance	protection circuit (MOSFET)	≤20mΩ
8	temperature	operation temp. Range	-40~+85℃
		storage temp. Range	-40~+125℃

kindly noted: the above parameter was test with temp.25℃, it will get tolerance if take different temp.



Please Note:

- wires should be connected from B- to B+.
- Please make the wiring as the above order (B-,B1,B2...B6,B7=B+)