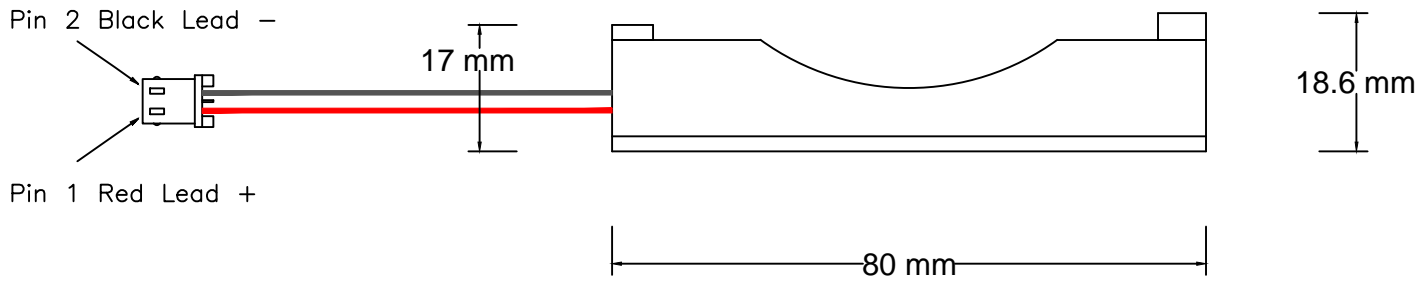
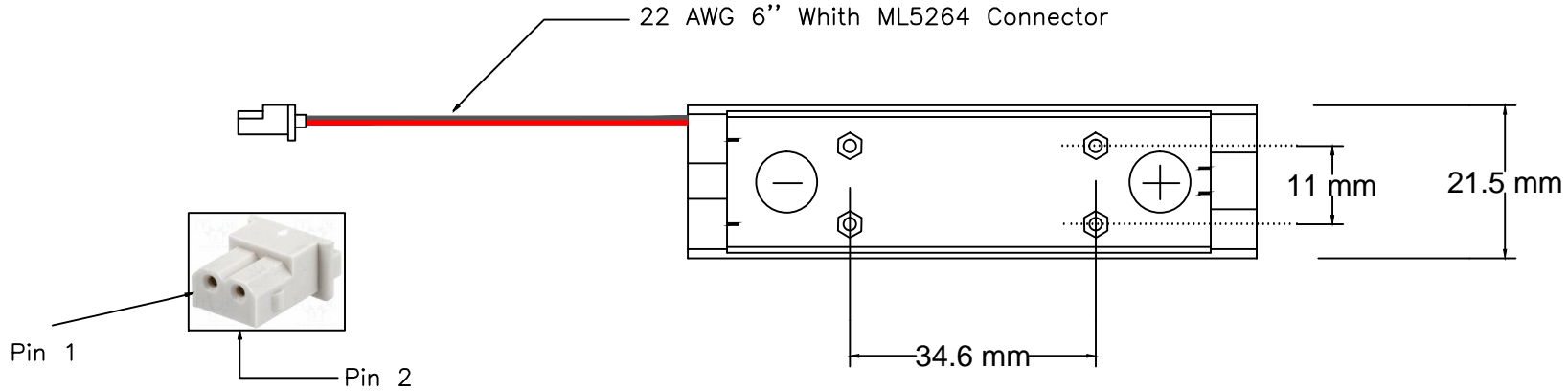


REVISIONS				
ZONE	REV	DESCRIPTION	DATE	APPROVED
			11/21/16	



CELL:				AA PORTABLE POWER			
TYPE	E	Ah	QTY	825 SOUTH 19TH STREET RICHMOND CA,94804			
				SIZE	DWR NO.	Part NO.	REV
NOTE:				SCALE None		SHEET 1 of 1	