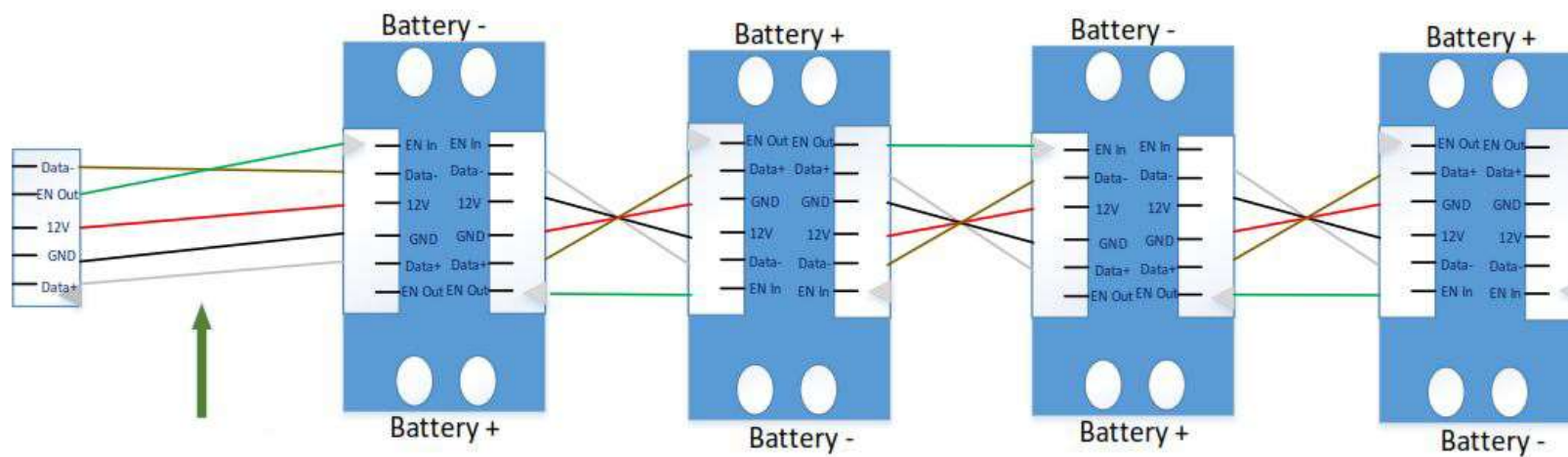


Standard Wiring for Left Positive Entry Sense Board Wiring. Typical for 200Ah Applications.



**BMS-CBL5JB**