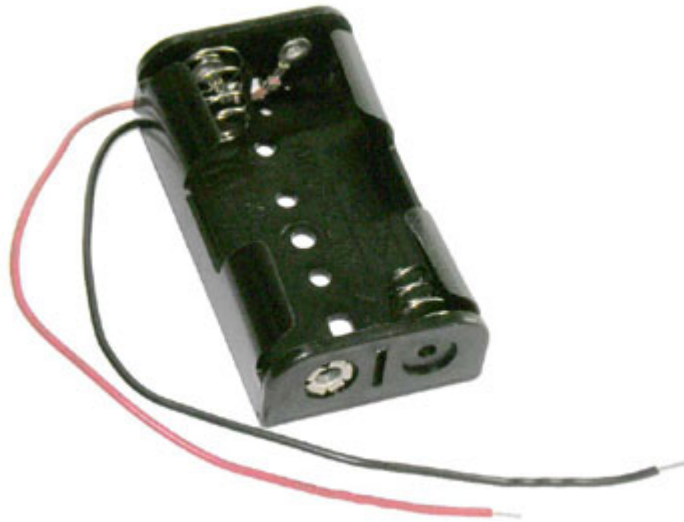


Specification & Drawing Diagram of

**Battery holder: 2 x "AA" Battery Holder With 6" 26AWG Wire Leads
(2P) - RoHS Compliant**



AA Portable Power Corp (<http://www.batteryspace.com>)

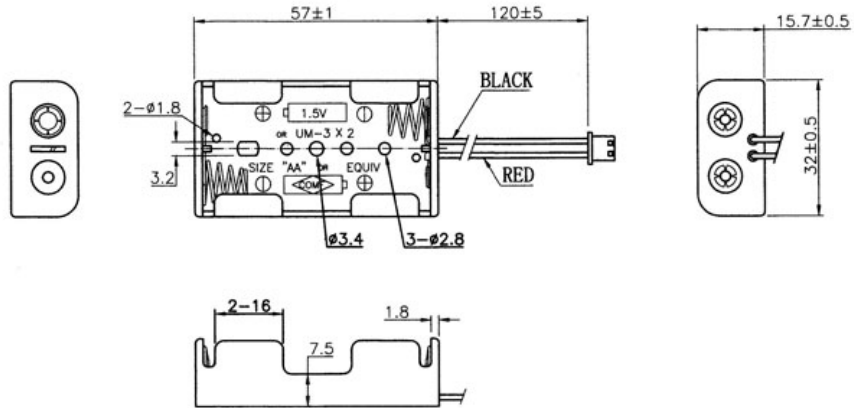
Address: 860 S, 19th St, Unit A, Richmond, CA, 94804

Tel: 510-525-2328

Fax: 510-439-2808

Email: Sales@batteryspace.com

Prepared & Approved by Louis (01/10/09)



SPECIFICATION

- (1) ITEM NO: BC2AA
- (2) WIRE: UL1007 AWG#26
BLACK & RED 120MM±5MM
- (3) MATERIAL: P. P. RESIN, BLACK COLOR
- (4) SPRING: 0.6MM 65C.SPRING WIRE
- (5) WITH: XH2.5 TERMINAL & 2P HOUSING

3							
2							
1							
NO.	MODIFICATION	DATE	NAME	BATTERY HOLDER BC2AA			
			SCALE	1:1	APPD		
			UNIT	MM	CHKD		
			MAT'L	P. P.	DWN	SONGLIPIN	
			DATE	JUNE. 23. 2006	DR NO	3211ATH-0606	

