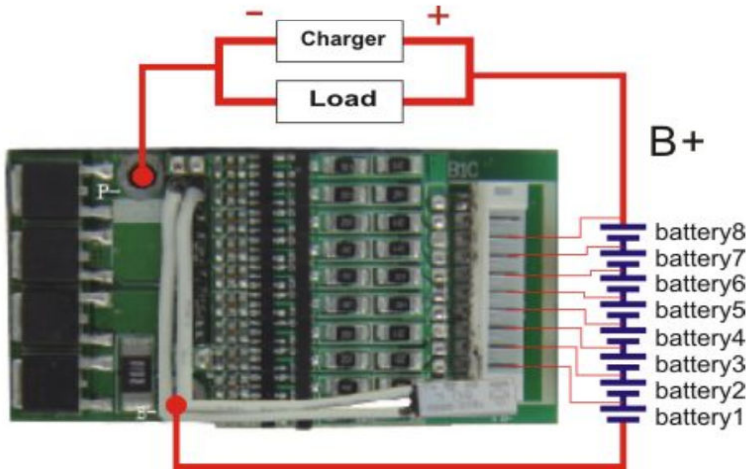


Protection Circuit Module Specifications For 8S Li-ion/Li-Po Battery Pack

Model: PCM-LI8SV4A

No.	Test item		Criterion
1	Voltage	Charging voltage	DC:33.6V CC/CV
		Balance voltage for single cell	4.20V±0.025V
2	Current	Balance current for single cell	42mA±5mA
		Current consumption for single cell	≤20 μ A
		Maximal continuous charging current	4A
		Maximal continuous discharging current	4A
3	Over charge Protection	Over charge detection voltage	4.325±0.025V
		Over charge detection delay time	0.5~2S
		Over charge release voltage	4.05±0.05V
4	Over discharge protection	Over discharge detection voltage	2.50±0.0625V
		Over discharge detection delay time	50~200mS
		Over discharge release voltage	3.00±0.1V
5	Over current protection	Over current detection voltage	0.1~0.2V
		Over current detection current	14±5A
		Detection delay time	5~20ms
		Release condition	Cut load, automatically recover
6	Short protection	Detection condition	Exterior short circuit
		Detection delay time	200-500us
		Release condition	Cut load, automatically recover
7	Resistance	Protection circuitry (B- TO P-)	≤20m Ω
8	Temperature	Operating Temperature Range	-40 ~ +85℃
		Storage Temperature Range	-20 ~ +125℃
9	Dimension (LxWxT)	L60mm x W30mm x T8mm	



Remarks:

Charge, Discharge at same Port
 P+ = B+ / Charge+ / Discharge+
 P- = Charge- / Discharge-