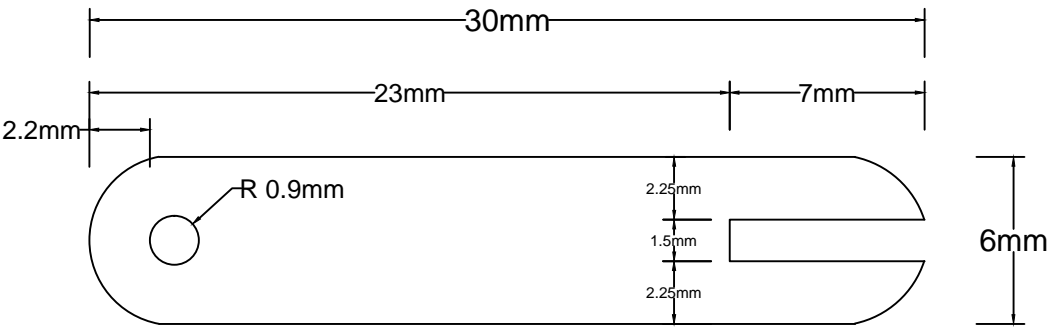


REVISIONS				
ZONE	REV	DESCRIPTION	DATE	APPROVED
			12/11/14	

Note: Tab thick is 0.25mm



TB-CS-C

CELL:				AA PORTABLE POWER			
TYPE	E	Ah	QTY	825 SOUTH 19TH STREET #A RICHMOND CA,94804			
				SIZE	DWR NO.	Part NO.	REV
						TB-CS-C	
NOTE:				SCALE	None	SHEET	1 of 1