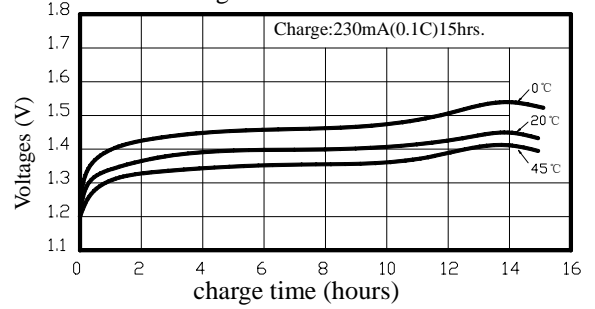


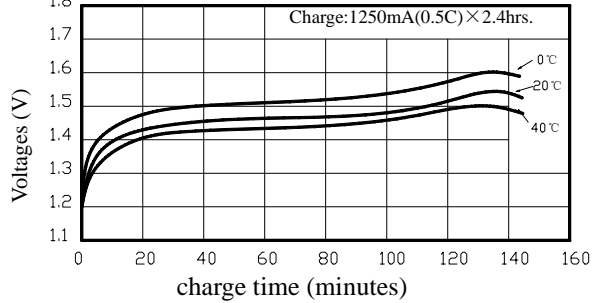
TYPE: MH-AA2600mAh(Button)
Specifications

Nominal voltage		1.2V		
Capacity		0.5C Discharge	1.0C Discharge	
	Minimum	1085mAh	2170	
	Typical	1300mAh	2600	
Dimensions	Diameter	mm	inch	
		$14.5^{+0.7}$	$0.55^{-0.028}$	
	Height	$49.0^{+1.0}$	$1.90^{+0.039}$	
Weight(Approximately)		Grams	Ounces	
		30	1.05	
Internal Impedance At 1000 Hz		25mΩ(Max) (After Charge)		
Charge	Standard	260mA(0.1C)×15hrs		
	Rapid	1300mA(0.5C)×2.4hrs		
Ambient temperature	Charge		°C	°F
		standard	0°C to 45°C	32°F to 113°F
	Rapid	10°C to 40°C	50°F to 104°F	
	Discharge	-20°C to 65°C	-4°F to 149°F	
	storage	-20°C to 45°C	-4°F to 113°F	

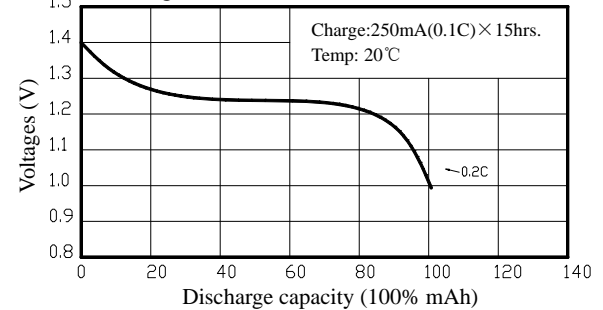
Typical characteristics
 Standard charge characteristics



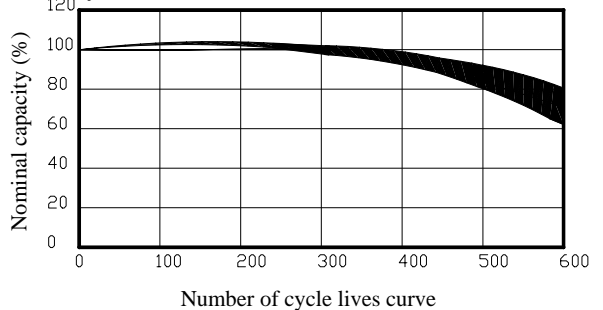
Rapid charge characteristics



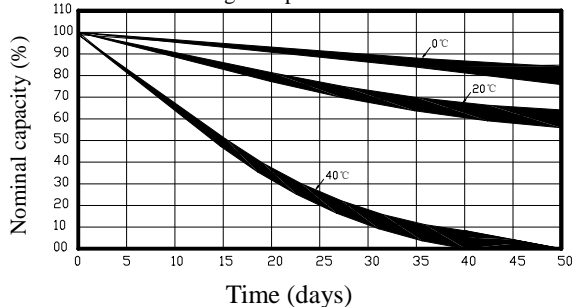
Discharge characteristics



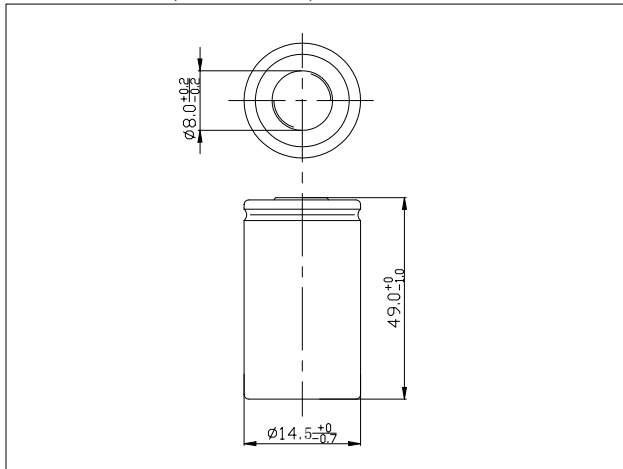
Cycle life characteristics



Charge retention curves of Ni-MH cylindrical cell
 At various storage temperatures



Dimension (with tube) (mm)



Note:

1. After charging at 0.1C for 15hours.
2. Nominal capacity rated at 0.2C 20°C.
3. Average capacity for reference only.
4. Weight and internal impedance are for reference.
5. Standard according as IEC of test cycle lives.