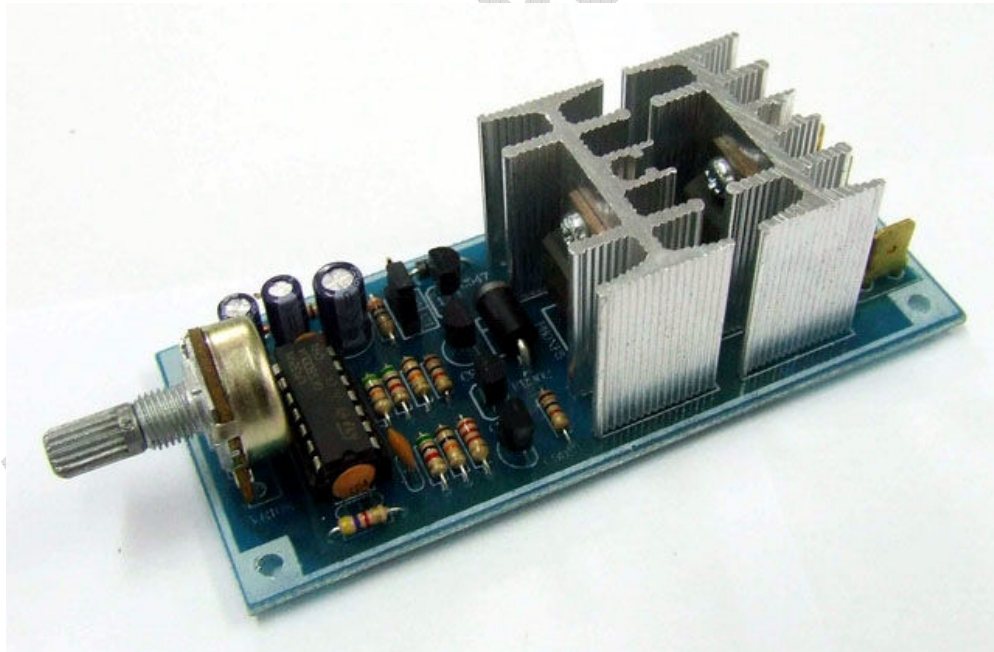

PWM-MSC2430 DC MOTOR SPEED CONTROL 30 AMP

TECHNICAL SPECIFICATIONS

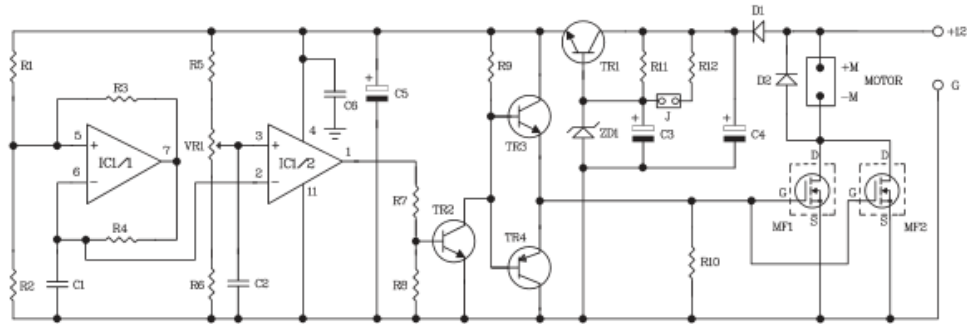
- Power supply: 12/24VDC.
- Load voltage: 12/24VDC./30A. max.
- Motor speed: Using PWM (Pulse With Modulation) principle for motor speed controlling.
- Output frequency: 100 Hz.
- Can adjust the motor speed from 0% to 100%
- PCB dimensions: 3.85x1.59 in.

CONNECTING AND OTHER

- Point +12V is to be connected to the positive pole of power supply 12VDC
- Point +M is to be connected to the positive pole of DC motor
- Point -M is to be connected to the negative pole of DC motor
- Point G is to be connected to the negative pole of power supply
- VR 10K is used for adjusting the speed of DC motor
- J is used for selecting the power supply 12VDC or 24VDC for the DC motor

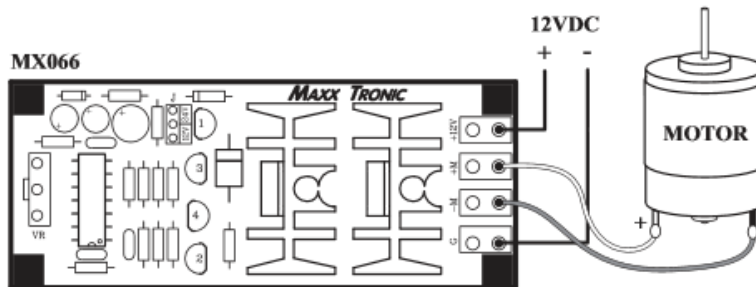


CIRCUIT DIAGRAM



INSTALLATION

THE DC MOTOR SPEED CONTROL 30 AMP CIRCUIT



SELECT JUMPER

Selecting the power supply for the DC electric motor.

