

## PWM-MCC840 DC MOTOR SPEED CONTROL (30A)

This DC motor speed control is a small speed control and easy to use.

### TECHNICAL SPECIFICATIONS

- Power supply: 8-30VDC.
- Load voltage: 8-30VDC./30A. max.
- With fixed 100Hz frequency and adjustable frequency from 400Hz to 3kHz
- Motor speed (PWM) can be adjusted from 0% - 100%
- With LED power indication
- PCB dimensions: 2.63x4.50 inches.

### CONNECTING AND TUNING

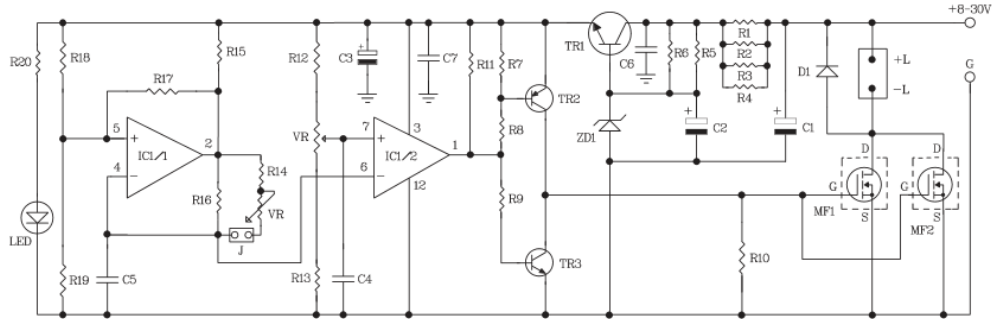
- Point + BATT is to be connected to the positive pole of power supply 8-30VDC
- Point + L is to be connected to the positive pole of DC motor
- Point - L is to be connected to the negative pole of DC motor
- Point - BATT is to be connected to the positive pole of power supply
- VR PWM is used for adjusting the speed of DC motor (PWM) 0-100%
- J1 is used for selecting the frequency. If J1 is jumping, the circuit can adjust the frequency from 400Hz to 3kHz, but if J1 isn't jumping, the frequency will be fixed at 100Hz.

### NOTE

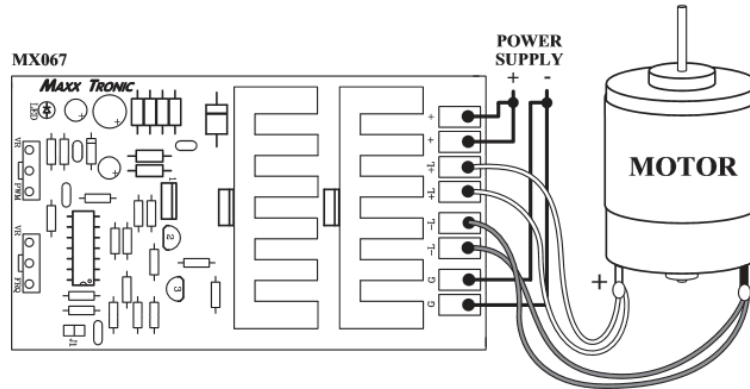
- If the connecting load is more than 20A and working continuously, a mini fan should be installed at the heatsink.
- Use electric wire no.12 AWG to connect between circuit and load
- When the frequency is too high, mosfet will be over-heated (we recommend to use frequency at 100Hz)



### CIRCUIT DIAGRAM



### INSTALLATION OF THE DC MOTOR SPEED CONTROL 30 AMP ADJUSTABLE FREQUENCY CIRCUIT



not jump



NOT JUMPING = Fix the frequency at 100Hz.

#### SELECT FREQUENCY

jump



JUMPING = Adjust the frequency from 400Hz to 3kHz.