

LiFePO4 Battery

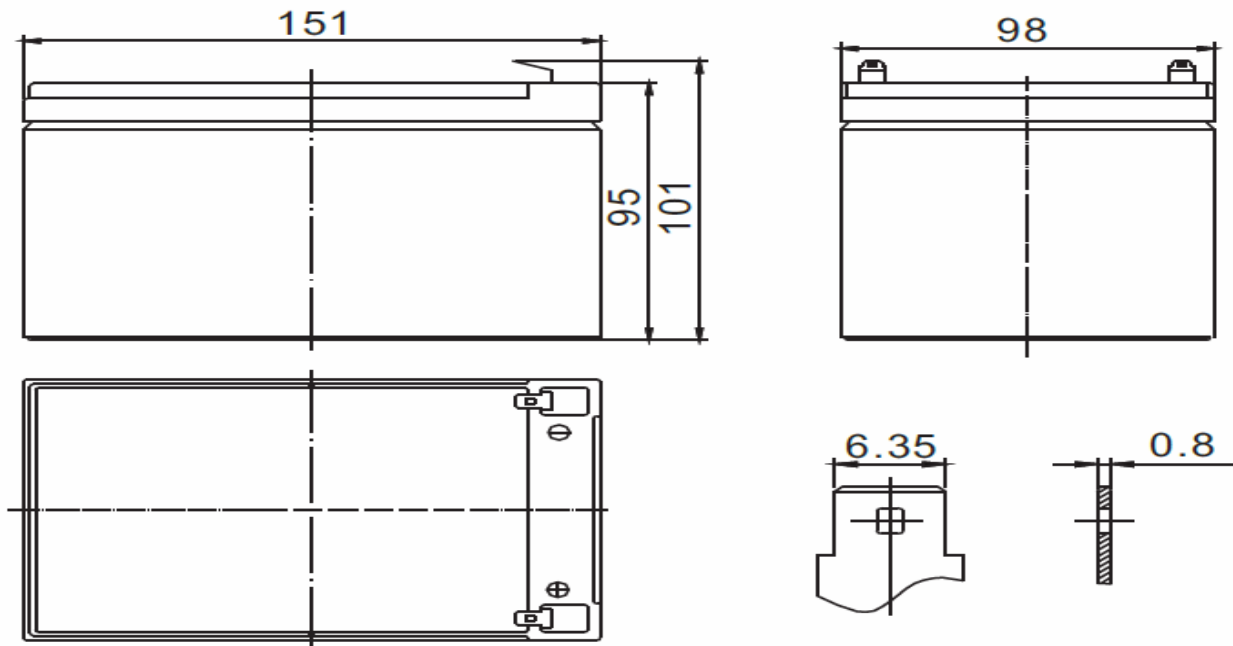
YT12120F

----- Specification -----

1. Preface:

This document describes the Product Specification of the LiFePO4 battery supplied by BatterySpace.com, replace SLA battery for UPS,E-bike, alarming system etc.

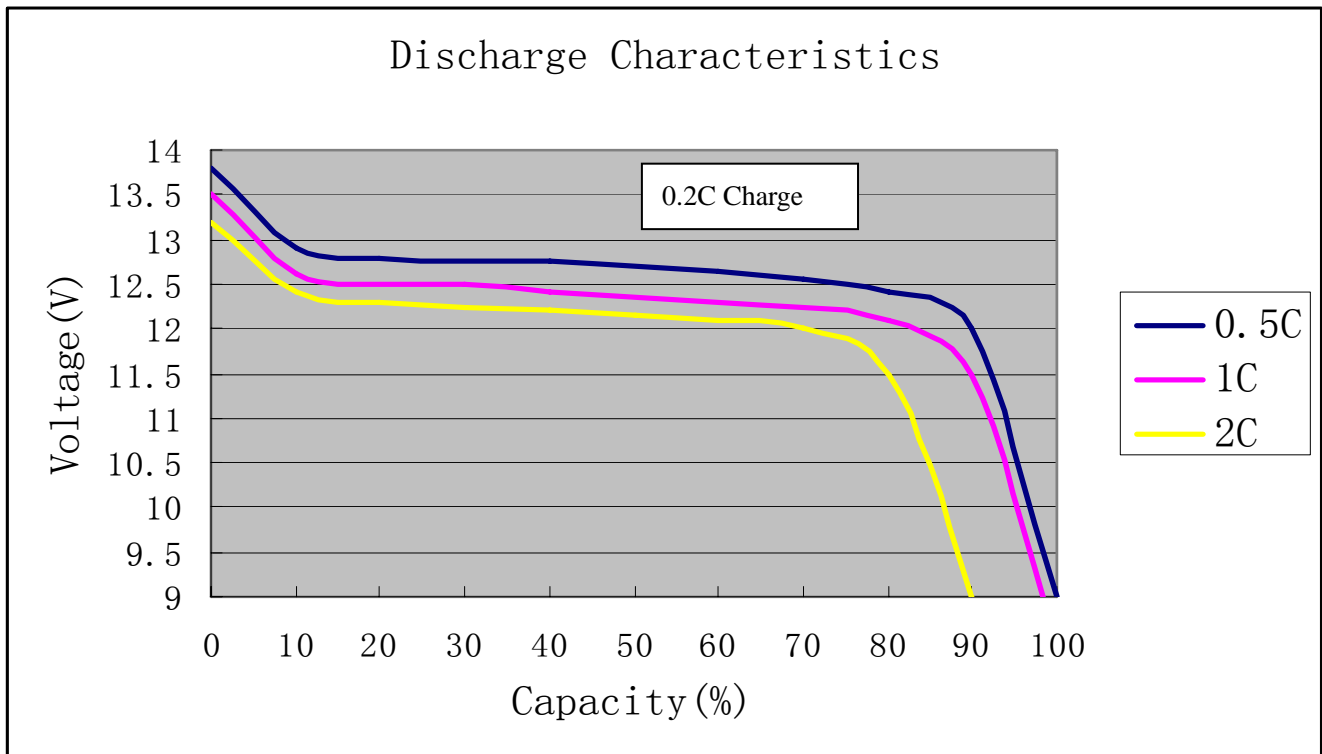
2. Drawing:



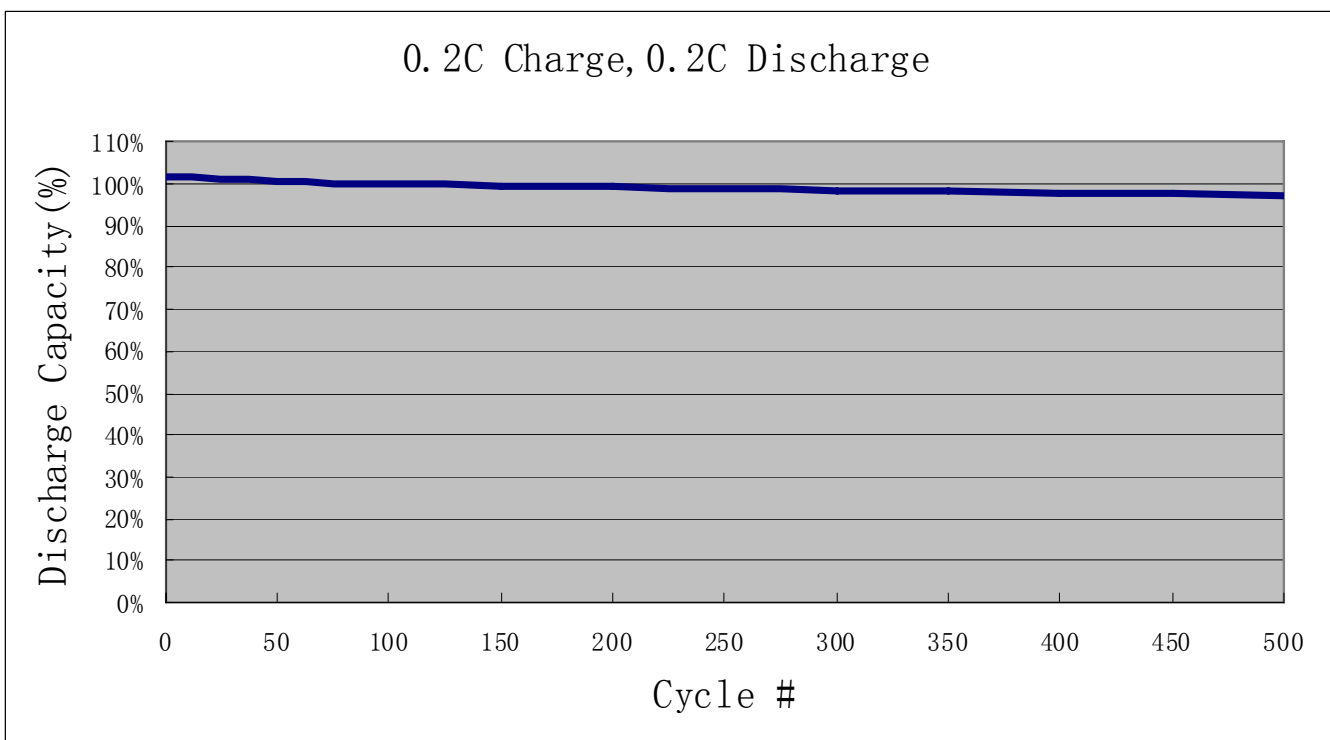
3. Rating:(with 0.2C discharge to 10.0V at $23 \pm 2^\circ\text{C}$, other data is also at this temperature)

Items	Unit	Data
Typical Capacity at 0.2C	Ah	12
Minimum capacity at 0.2C	Ah	11.5
Nominal Voltage	V	12.0
Weight	Kg	1.9 ± 0.20
Max. continue Discharge	A	12A
Pulse Discharge few Seconds	A	24A
Charge Current	A	$\leq 12A$
Charge Voltage Cutoff	V	14.6 ± 0.2
Discharge Voltage Cutoff	V	10.0
Operating Temp.	$^\circ\text{C}$	$-20 \sim 60$
Cycle life(0.2C charge,0.2C discharge to 10.0V)	cycles	Over 1000

4. Discharge Performance (At ambient temperature: 23±2°C)



5. Life Cycle Performance (At ambient temperature: 23±2°C)



6. Caution

- 6.1. Must use 12.8V LFP smart charger to charge the battery (CC and CV charger)
- 6.2. Do not mix with SLA battery, if SLA charger is not CC and CV=14.2±0.2V, do not use the charger to charge YT12120F battery
- 6.3. Any unclear please check with sales@batteryspace.com.

AA Portable Power Corp

Tel: 510-525-2328

Fax: 510-525-4728

Email: sales@batteryspace.com
