

LiFePO4 Battery

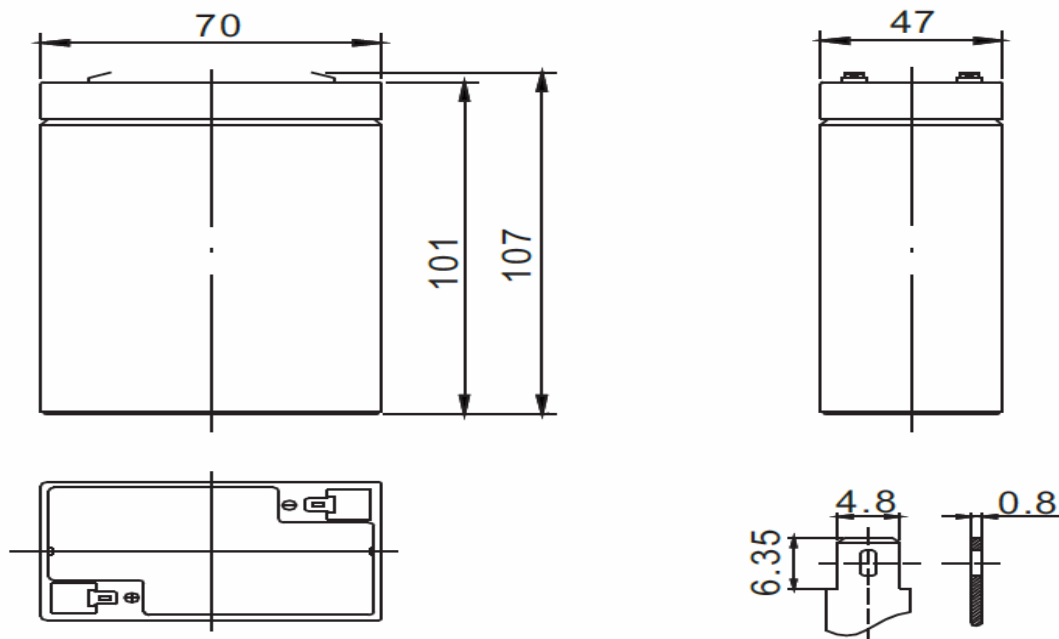
YT640F

----- Specification -----

1. Preface:

This document describes the Product Specification of the LiFePO4 battery supplied by BatterySpace.com., replace SLA battery for UPS,E-bike, alarming system etc.

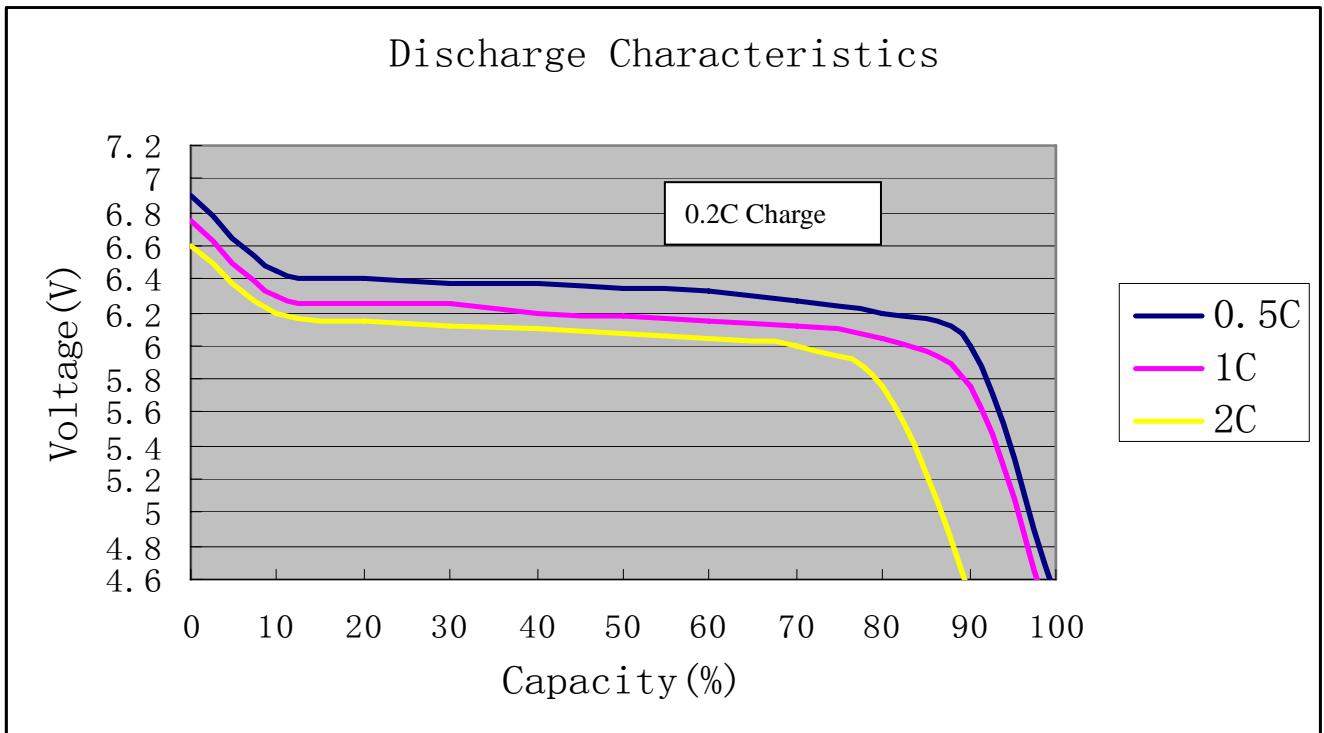
2. Drawing:



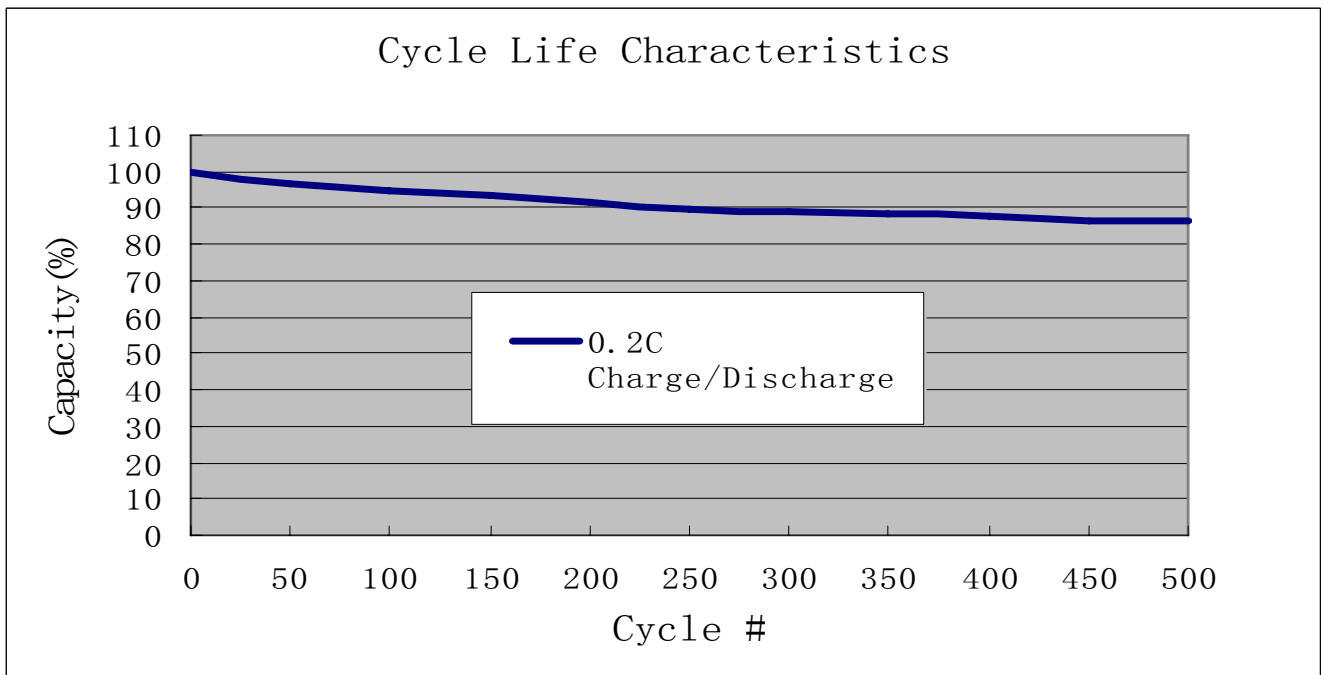
3. Rating: (with 0.2C discharge to 10.0V at $23 \pm 2^\circ\text{C}$, other data is also at this temperature)

Items	Unit	Data
Typical Capacity at 0.2C	Ah	4.0
Minimum capacity at 0.2C	Ah	3.8
Nominal Voltage	V	6.0
Weight	Kg	0.4 ± 0.02
Max. continue Discharge	A	4.0
Pulse Discharge few Seconds	A	8A
Charge Current	A	$\leq 4.0\text{A}$
Charge Voltage Cutoff	V	7.3 ± 0.2
Discharge Voltage Cutoff	V	5.0
Operating Temp.	$^\circ\text{C}$	-20~60
Cycle life(0.2C charge,0.2C discharge to 5.0V)	cycles	Over 1000

4. Discharge Performance (At ambient temperature: $23 \pm 2^\circ\text{C}$)



5. Life Cycle Performance (At ambient temperature: $23 \pm 2^\circ \text{C}$)



6. Caution

6.1. Must use 6.4V LFP smart charger to charge the battery (CC and CV charger)

6.2. Do not mix with SLA battery, if SLA charger is not CC and CV = $7.1 \pm 0.2\text{V}$, do not use the charger to charge YT640F battery

6.3. Any unclear please contact sales@batteryspace.com.

AA Portable Power Corp

Tel: 510-525-2328

Fax: 510-525-4728

Email: sales@batteryspace.com
