

## Specification of

### Component - Connector: Standard Anderson Connector Red Housing (1327)



AA Portable Power Corp (<http://www.batteryspace.com>)  
Address: 860 S, 19<sup>th</sup> St, Unit A, Richmond, CA, 94804  
Tel: 510-525-2328  
Fax: 510-439-2808  
Email: [Sales@batteryspace.com](mailto:Sales@batteryspace.com)  
Prepared & Approved by Louis (01/10/08)

The housings are modular and genderless. Powerpole® connectors provide 600 Volts continuous, AC or DC operation. Wire sizes range from #16 to #20 AWG (1.3 to .5 mm<sup>2</sup>). Contacts are available in reeled and loose piece designs to support all production needs from engineering prototype , low volume and high volumes products.

## FEATURES

- **Flat wiping contact system**

*Minimal contact resistance at high current, wiping action cleans contact surface during connection/disconnection*

- **Molded-in dovetails**

*Secures individual connectors into "keyed" assemblies which prevents misconnection with similar configurations*

## Technical Parameter

Connector Model	PP15	Connector Model	PP15
UL Current Rating (Amperes)*	15*	Life	
UL Voltage Ratings (Volts)**	600*	a. No load (Contact/Disconnect Cycles)	To 10,000
Contact Barrel Wire Size (AWG)	#16 to #20	b. Under Load (Hot Plug 250 cycles @ 120V)	15A
(mm <sup>2</sup> )	1.3 to .5	Avg. Connection/Disconnect (lbf)	3 - low detent 5 - high detent
Maximum Wire Insulation Diameter (inches)	0.175	Operating Temperature Range °C***	-20° to 105°
(mm)	4.45	°F	-4° to 221°
AVG Contact Resistance* (micro-ohms)	875	Flammability Rating of Housing Material	UL94 V-0
Insulation Withstanding Test Voltage (Volts AC/DC)	2200		
Contact Retention Force (lbf)	25		

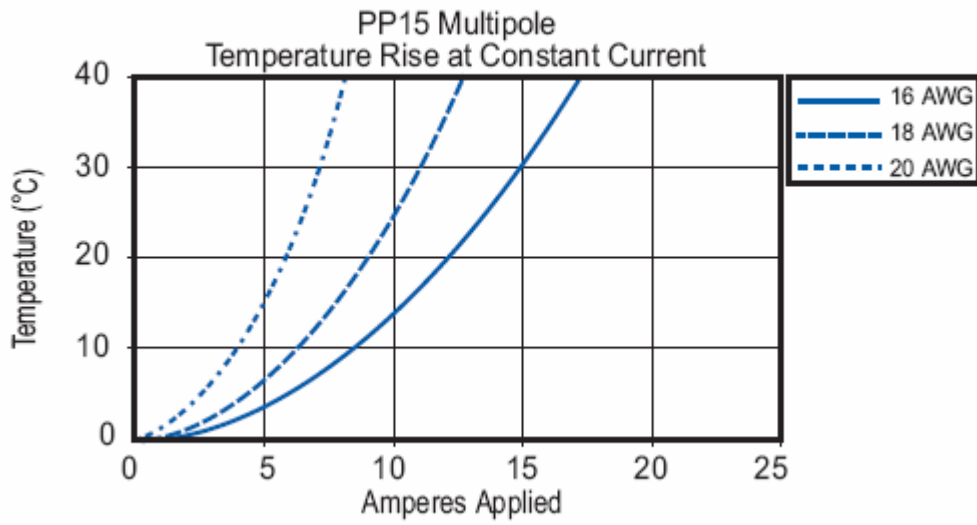
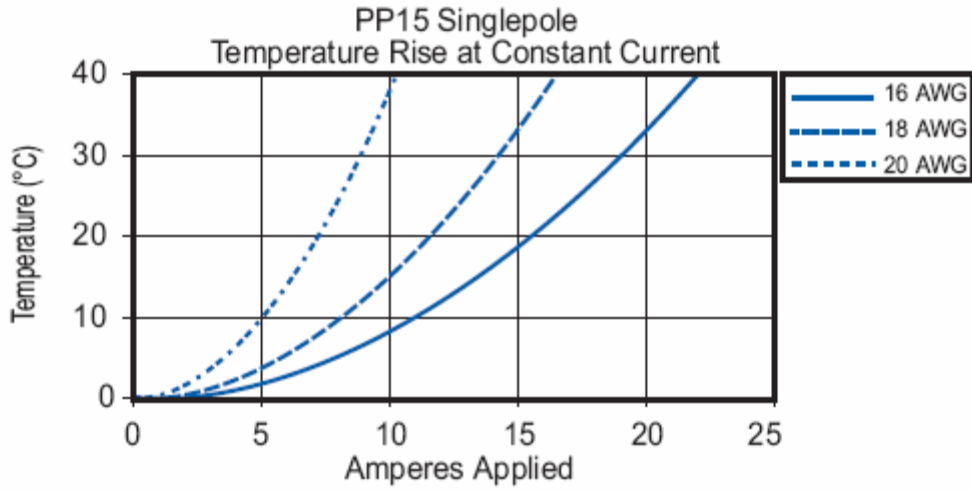


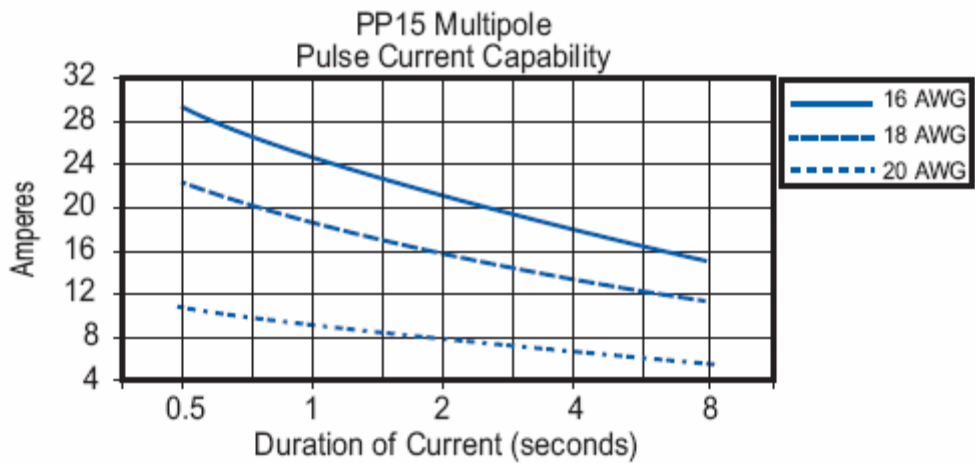
\* UL Rated for 85°C largest wire or cable size

\*\* Both AC & DC Voltage

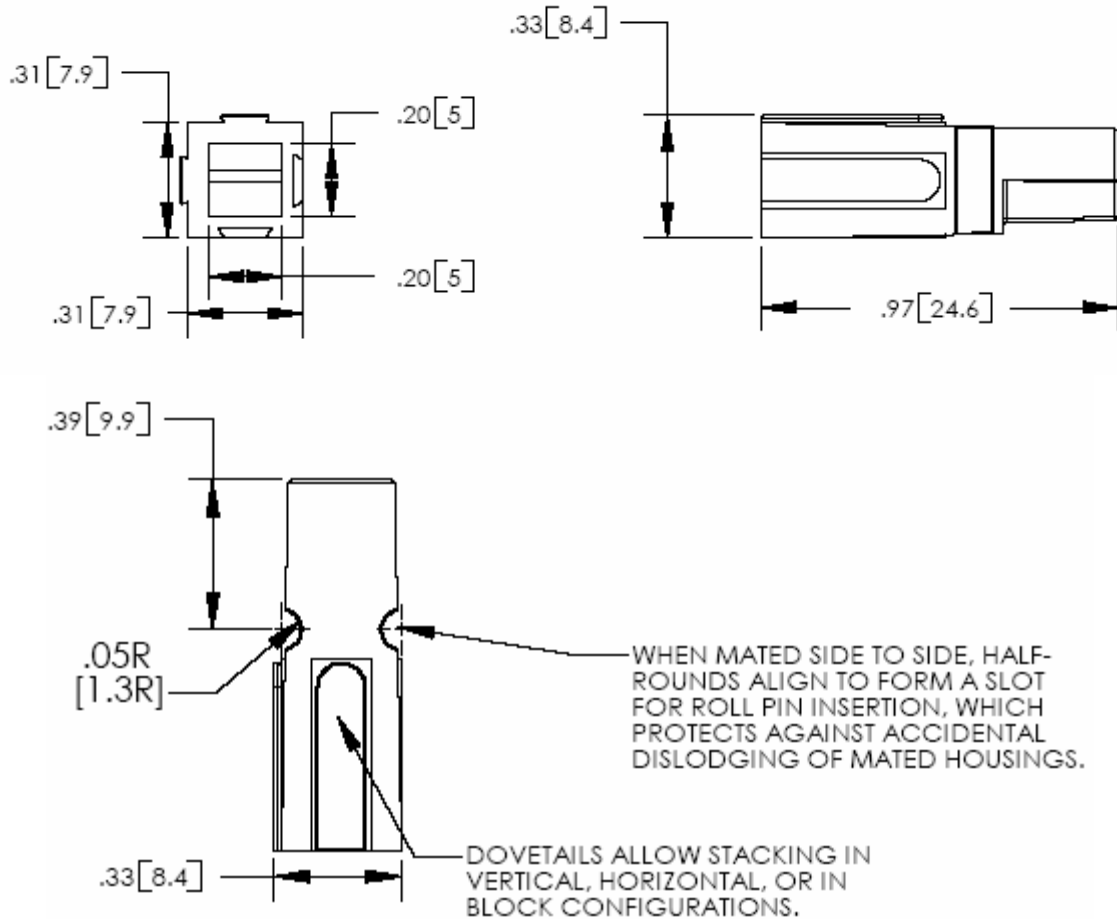
\*\*\* Contact factory for higher temperature rated connectors

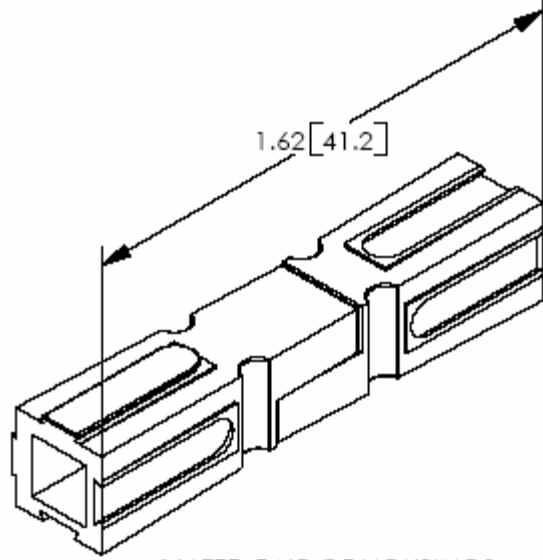
# TEMPERATURE RISE CHARTS





## Drawing Diagram





MATED PAIR OF HOUSINGS  
(CONTACTS NOT SHOWN)