

## Protection Circuit Module Specifications For 12.8V LiFePO4 Battery Packs

·Model: PCB-LFP12V10A

·Features:

Apply for 4 Cells LiFePO4 Battery Pack  
with discharging current < 10A

Adopt seiko S-8254 protection IC

Dimension:  $\Phi 40 \times T4$ mm

Weight: 4.2 grams

Electric performance:

\* Overcharge protection voltage for single cell:  $3.90 \pm 0.025V$

\* Overdischarge protection voltage for single cell:  $2.3 \pm 0.08V$

\* Overcurrent detection protection: 23~33A

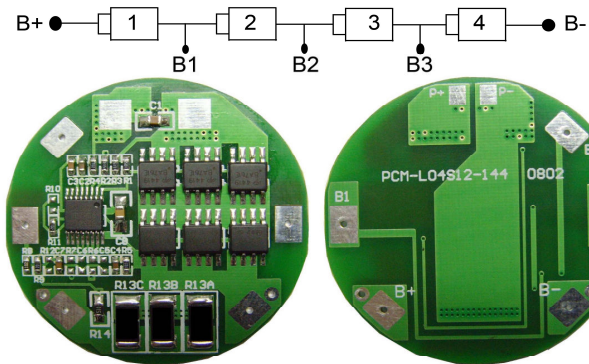
\* Maximal continuous discharging current: 10A

\* Current consumption for single cell:  $\leq 20\mu A$

\* Short circuit protection: Automatic Recovery

\* Protection circuitry resistance (B+ TO P+) :  $\leq 50m\Omega$

Port design:



P+,P- = Charge+/-,Discharge+/-