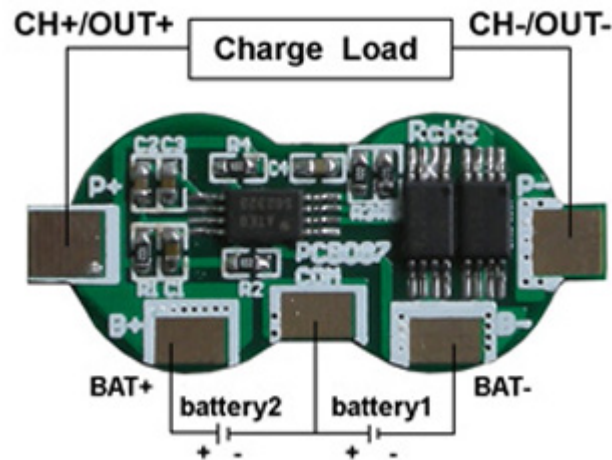


## Specification of

### PCB (Protection circuit module) for 2 cells (6.2V) LiFePO4 Battery Pack at 5A limited



AA Portable Power Corp (<http://www.batteryspace.com>)

Address: 860 S, 19<sup>th</sup> St, Unit A, Richmond, CA, 94804

Tel: 510-525-2328

Fax: 510-439-2808

Email: [Sales@batteryspace.com](mailto:Sales@batteryspace.com)

Prepared & Approved by Louis (01/10/08)

## Protection Circuit Module Specifications For 6.4V LiFePO4 Battery Packs

• Model: PCM-Li02S8-040(F)

• Features:

Apply for 2 Cells LiFePO4 Battery pack  
with discharging current < 5A

Adopt seiko S-8232 protection IC

Adopt SANYO D2017 MOSFET

Dimension: L33\*W14.7mm

Weight: 0.8 gram

Electric performance:

- \* Over-charge protection voltage for single cell:  $3.85V \pm 25mV$
- \* Over-discharge protection voltage for single cell:  $2.23V \pm 80mV$
- \* Over-current protection : 7.5~9.5A
- \* Maximal continuous Discharging current: 5A
- \* Maximal Current consumption: 20uA
- \* Short circuit protection
- \* Protection circuitry resistance:  $\leq 40m\Omega$

### Terminal explanations:

