

Sensor boards Specifications

Please read carefully to avoid installation problem

Sense board used with EMS System

Used with: 40Ah, 60Ah, 100Ah EMS

Voltage Measurement: 1.2V to 4.5V

Temperature Measurement: -20°C to 70°C

Balancing Current: 0.5A

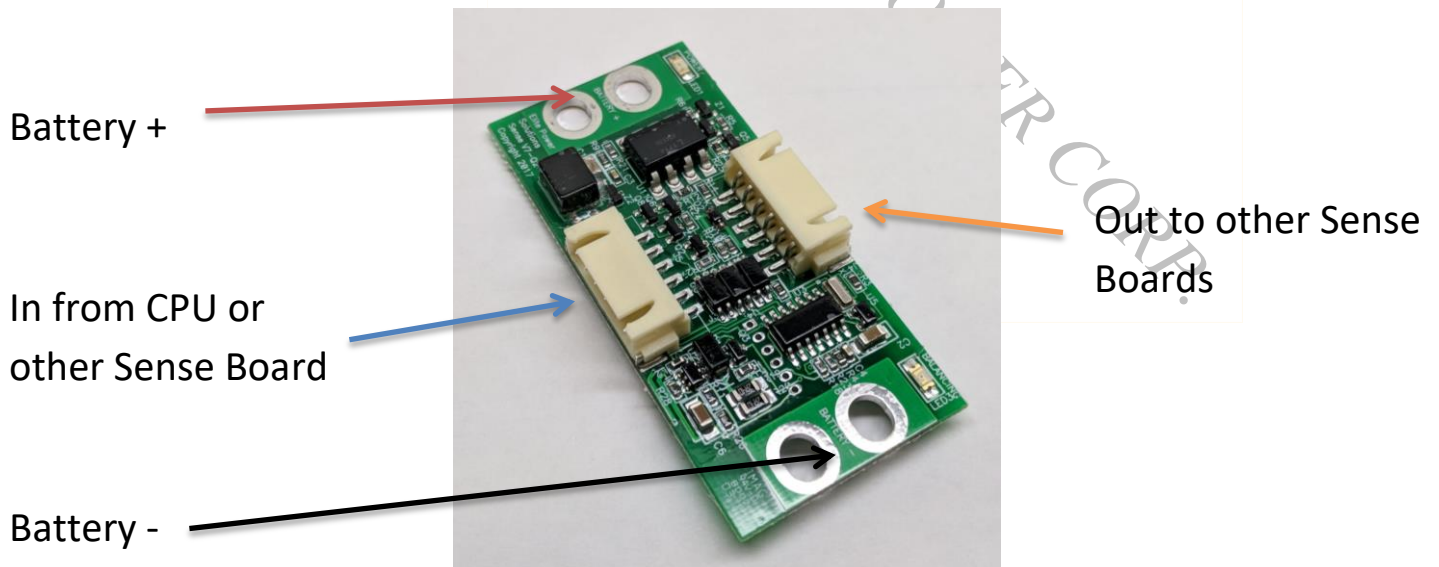
Balancing Turn on Voltage: 3.55V

Balancing Time Duration: 8 minutes or voltage drops to 3.0V

Indicators: Green LED – Flashes 5 times upon initial battery connection then turns off.
Flashes on and off once per second when the system is operating.

Red LED – Balancing load is turned on.

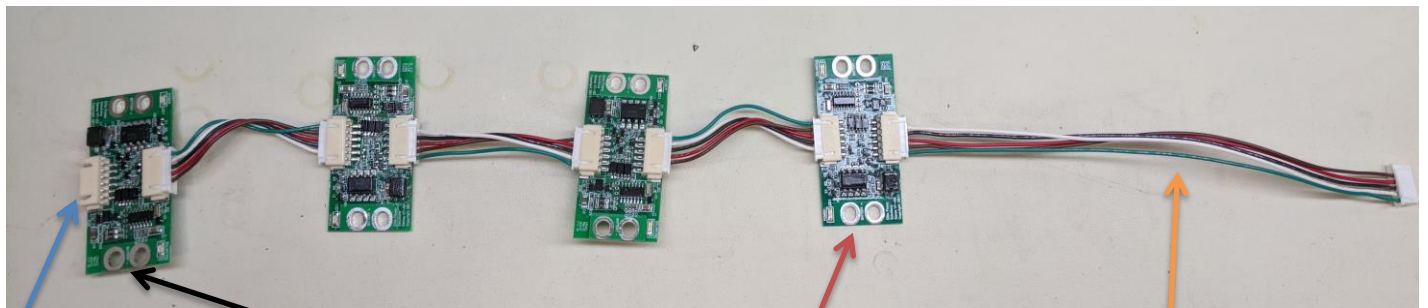
Backwards compatible with Version 6.1 and all Version 7 sense boards (using an adapter).



Orientation:

With the battery negative oriented down the left connector is the data input. The right connector is the data output which goes to other sense boards. At the end of the sense board string this connector will be left un-populated. EPS offers several different size cables to accommodate standard battery configurations.

Example 4-cell string:



In from CPU

Battery -

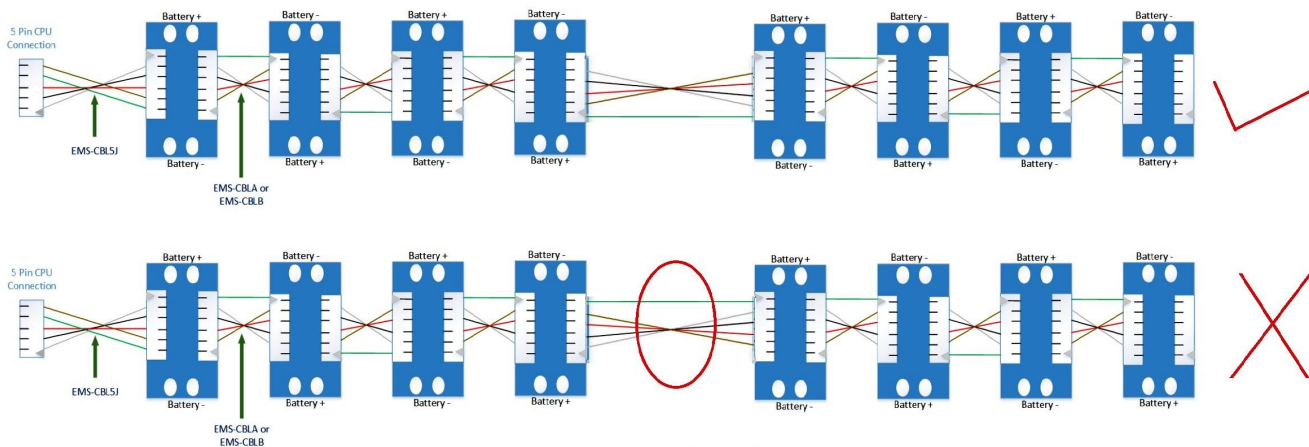
Battery +

Out to more Sense Boards

When orienting the cables pay attention to the location of the green wire. The green wire flips top and bottom in between each board.

Note: Wrong direction will damage sensor boards.

Sense Board Standard Wiring



Any question please contact Sales@batteryspace.com