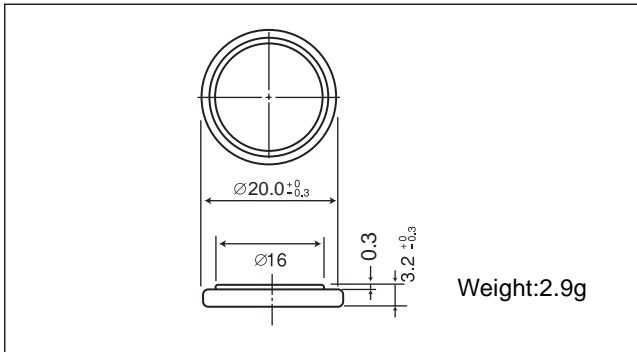


# Manganese Dioxide Lithium Coin Batteries: Individual Specifications

## CR2032

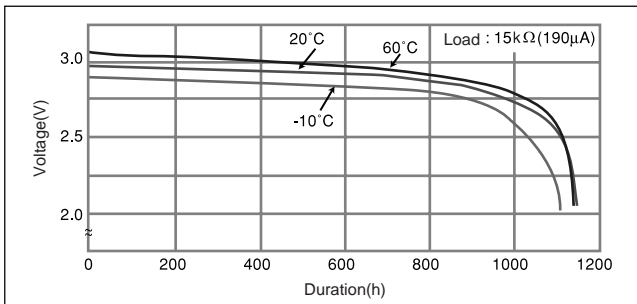
### □ Dimensions(mm)



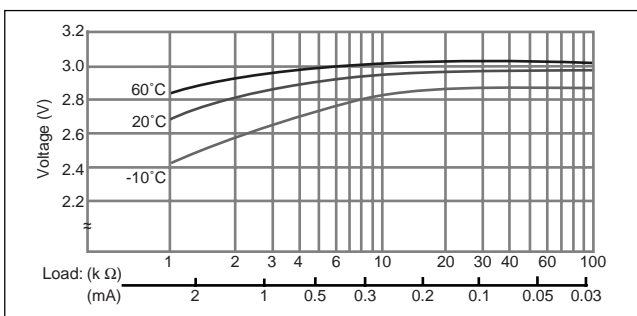
### □ Specification

Nominal voltage (V)	3
Nominal capacity (mAh)	225
Continuous standard load (mA)	0.2
Operating temperature (C)	-30 ~ +60

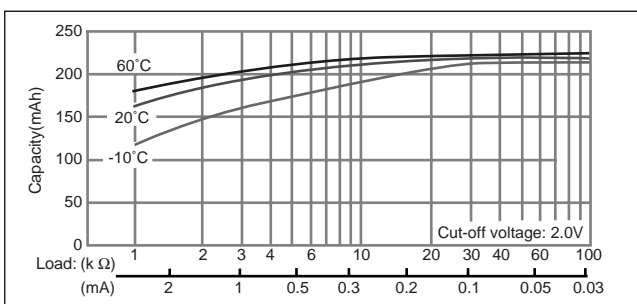
### □ Temperature Characteristics



### □ Operating voltage vs. load resistance (voltage at 50% discharge depth)

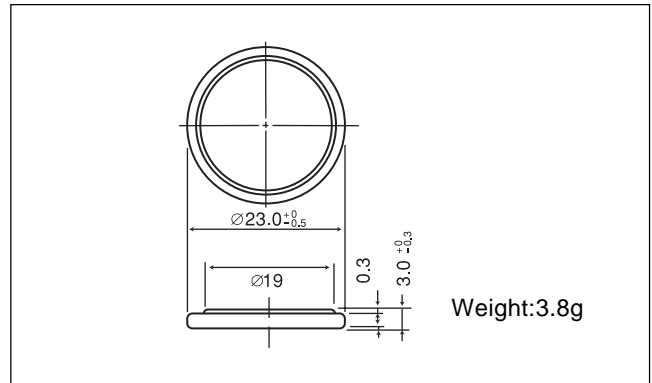


### □ Capacity vs. load resistance



## CR2330

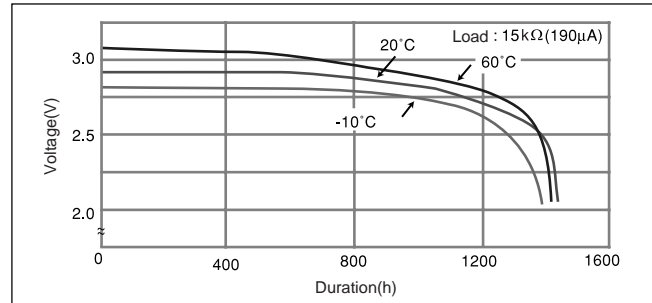
### □ Dimensions(mm)



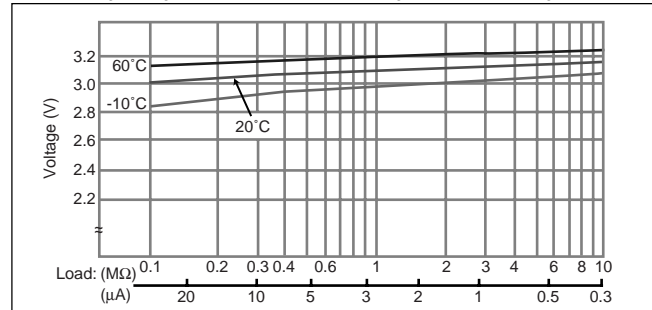
### □ Specification

Nominal voltage (V)	3
Nominal capacity (mAh)	265
Continuous standard load (mA)	0.2
Operating temperature (C)	-30 ~ +60

### □ Temperature Characteristics



### □ Operating voltage vs. load resistance (voltage at 50% discharge depth)



### □ Capacity vs. load resistance

