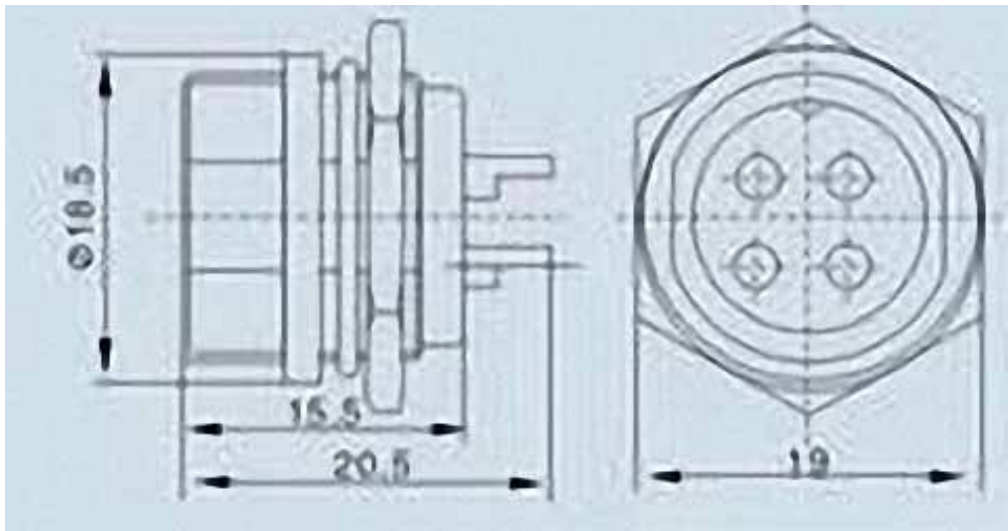


Technical Drawing of
**Component - Connector: 4 Pin male Cannon plug for CH-Z-
USC-37.0V5A Charger etc**



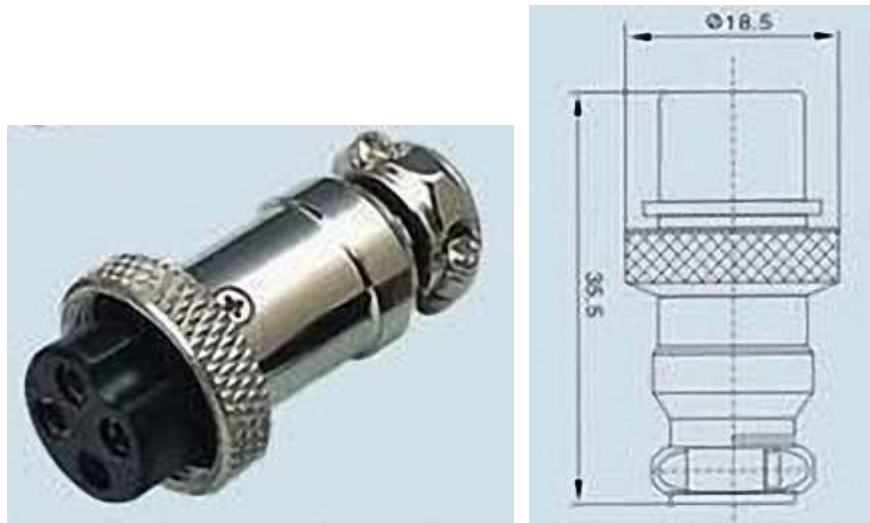
AA Portable Power Corp (<http://www.batteryspace.com>)
Address: 860 S, 19th St, Unit A, Richmond, CA, 94804
Tel: 510-525-2328
Fax: 510-439-2808
Email: Sales@batteryspace.com
Prepared & Approved by Max (14/10/10)

4 Pin male Cannon plug Drawing



Unit in mm

Mated Charger Connector Drawing (For reference)



Unit in mm