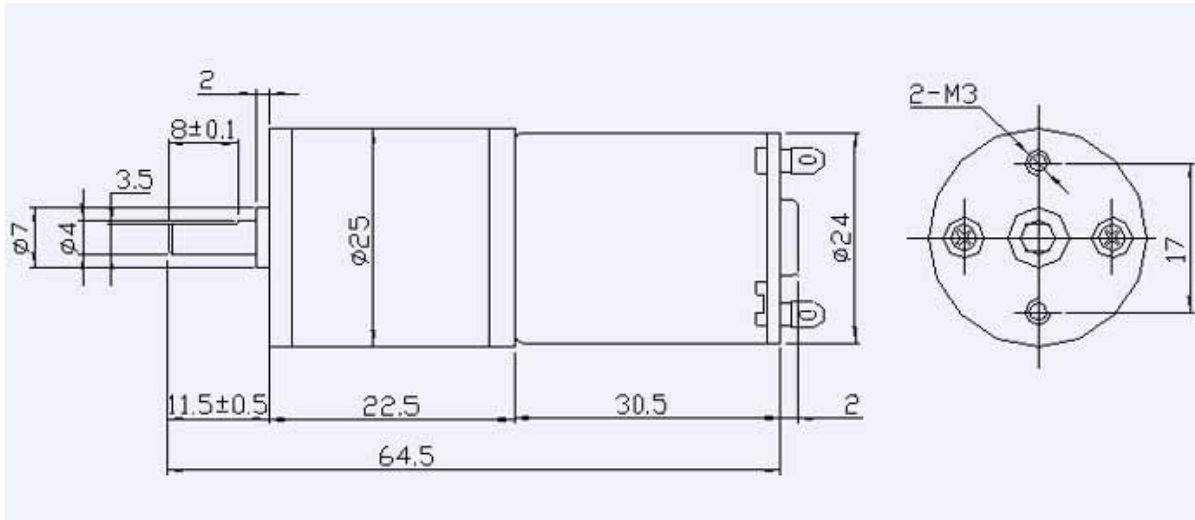


DC Motor: High Torque Mini 12V DC Gear Motor, 50 rpm for Hobby Projects

(Part# MT-050)



Motor Spec (Model# 25GA370D12, i = 1:56)

1. Voltage: 12.0VDC
2. Output Speed: 50 RPM
3. No-Load output current: ≤ 50 mA
4. Rotation Output: CW / CCW
5. Noise: No Gear Noise
6. Stall output: : Slip Gear, Broken Gear is no allowed
7. Output shaft of the axial clearance: $\leq 0.1 \sim 0.3$ mm, Horizontal clearance requirement ≤ 0.05

Electrical Spec

1. No-Load Speed: 3000 RPM
2. No-Load Current: ≤ 40 mA
3. Rotation: CW
4. Motor#: 370