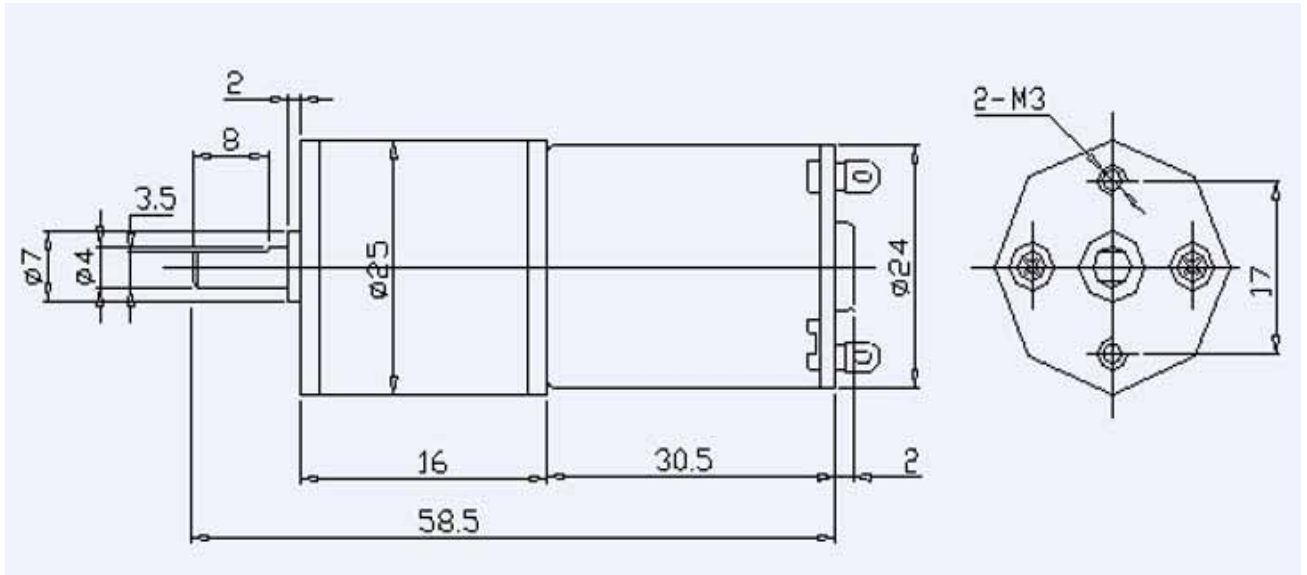


DC Motor: High Torque Mini 12V DC Gear Motor, 600 rpm for Hobby Projects

(Part# MT-WSM600)



Motor Spec (Model# 25GA370D12, $i = 1:9.3$)

1. Voltage: 12.0VDC
2. Output Speed: 600 +/- 10% RPM
3. No-Load output current: ≤ 50 mA
4. Rotation Output: CW / CCW
5. Noise: No Gear Noise
6. Stall output: : Slip Gear, Broken Gear is no allowed
7. Output shaft of the axial clearance: $\leq 0.1 \sim 0.3$ mm, Horizontal clearance requirement ≤ 0.05

Electrical Spec

1. No-Load Speed: 5700 RPM
2. No-Load Current: ≤ 30 mA
3. Rotation: CW
4. Motor#: 370