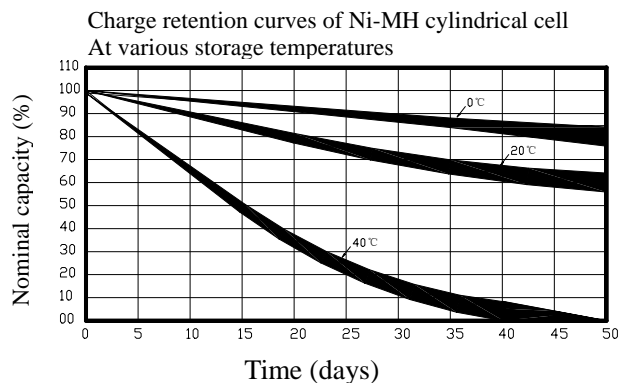
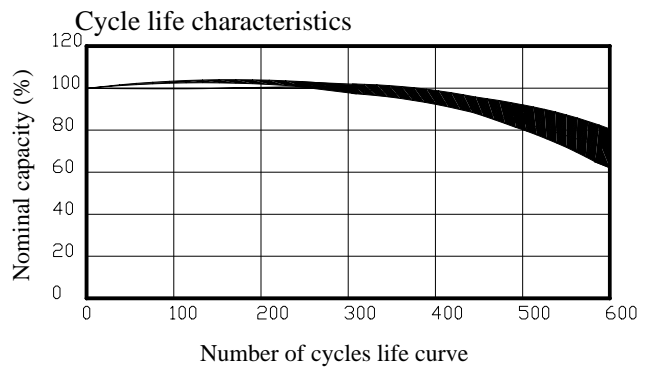
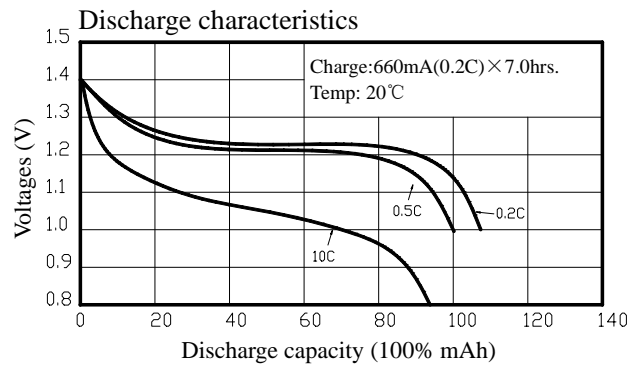
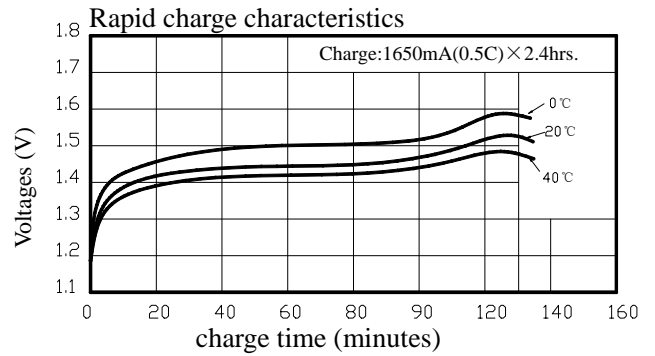
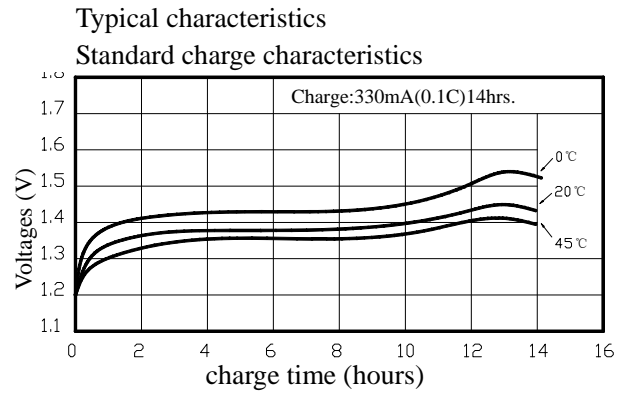


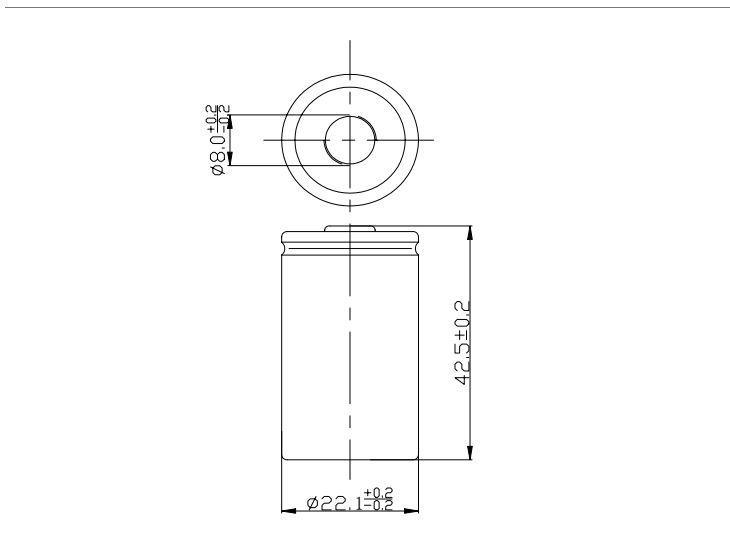
TYPE: SC3300 (Flat)

Specifications

Nominal voltage		1.2V	
Capacity		0.5C Discharge	1.0C Discharge
	Minimum	3200mAh	2800mAh
	Typical	3300mAh	2900mAh
Dimensions	Diameter	mm	inch
		22.1 ^{±0.2}	0.86 ^{±0.008}
		Height	42.5 ^{±0.2}
Weight(Approximately)		Grams	Ounces
		61	2.14
Internal Impedance At 1000 Hz		6mΩ(Max) (After Charge)	
Charge	Standard	660mA(0.2C) × 6.5hrs	
	Rapid	1650mA(0.5C) × 2.2hrs	
Ambient temperature	Charge	standard	°C
			0°C to 45°C
	Rapid	°F	
		32°F to 113°F	
	Discharge	-20°C to 65°C	
storage	-20°C to 45°C		



Dimensions(with tube) (mm)



Note:

1. After charging at 0.1C for 15hours.
2. Nominal capacity, rated at 0.2C 20°C.
3. Average capacity, for reference only.
4. Weight and internal impedance are For reference.
5. Standard according as IEC of test cycle life.